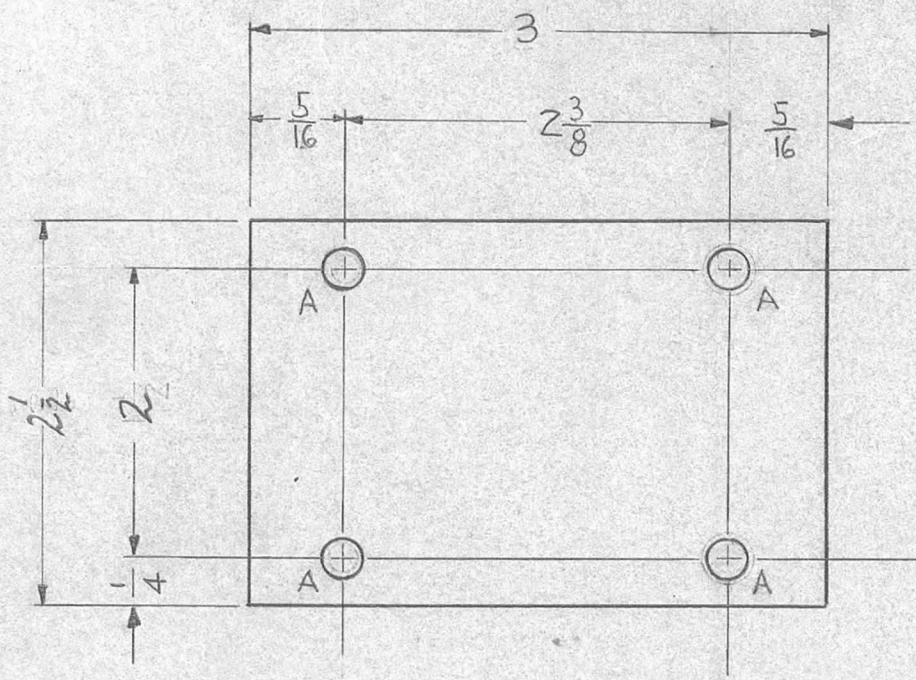


REQ. PER UNIT	USED ON			PX-453	F
	MODEL	ASS'Y. NO.	DATE		
2	GPT-10K TI-102	RF DECK AT-100	1-31-59		

A -  $\frac{13}{64}$  (.203) DIA. 4 REQ.

B -  $\frac{1}{4}$  (.25) DIA.



NOTICE TO PERSONS RECEIVING THIS DRAWING

THE TECHNICAL MATERIEL CORPORATION claims proprietary right in the material disclosed hereon. This drawing is issued in confidence for engineering information only and may not be reproduced or used to manufacture anything shown hereon without permission from THE TECHNICAL MATERIEL CORPORATION to the user. This drawing is loaned for mutual assistance and is subject to recall at any time.

Property of:  
THE TECHNICAL MATERIEL CORPORATION  
MAMARONECK, NEW YORK

F	1	MAT. WAS G 10	3-15-6	1899	CY	JH	ARB
E	1	MATERIAL WAS MELAMINE	2-18-60	1859	W.F.	JH	ARB
D	1	"A" HOLES (13/64) WERE 9/64 A HOLES RELOCATED	1/11/60	1740	W.F.	JH	ARB
C	1	TWO "B" HOLES WERE MOVED 9/64 D	9-21-59	1344	PLD	JH	ARB
B		ADDED TYPES TECH PER	8/14/57		W	JH	ARB
A	1	NO. REQ PER UNIT WAS 1	3-27-59		J.C.B.	JH	ARB

Ref - 1 LD-576

REQ.	ITEM	PART NO.	DESCRIPTION	SYMBOL
		3/8	THE TECHNICAL MATERIEL CORP. MAMARONECK, NEW YORK	
		EPOXY	CONDENSER, MOUNT	
			ANT. TUNER	
		G-11	J.C. BIELE	ARB
			DRAWN	CHECKED
				FINAL APPROVAL
				PX-453 F
			ELEC. DES. APP	MECH. DES. APP

ISSUE		ITEM	CHANGED FROM	DATE	CH. NO.	DRAFTS	CHECKER	ENG. APP.
TOLERANCES			SCALE:					
DEC. DIM. ±			MAXIMUM ALLOWABLE TOLERANCES HAVE BEEN DETERMINED AND ANY DEVIATIONS WILL BE CAUSE FOR REJECTION.					
FRAC. DIM. ± 1/64			REMOVE ALL BURRS AND SHARP EDGES					
ANGULAR DIM. ±								