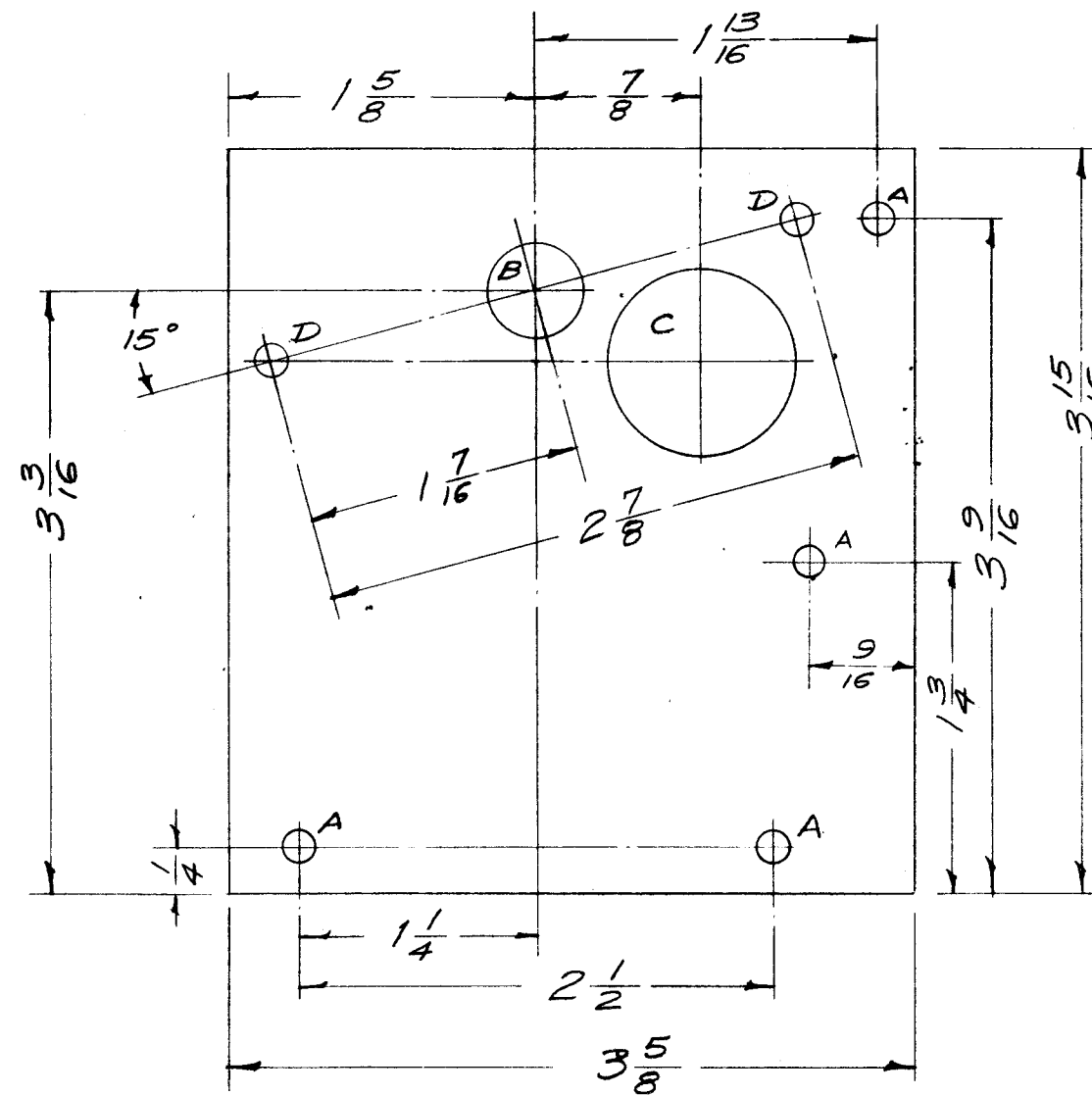


NOT TO PERSONS RECEIVING THIS DRAWING

THE TECHNICAL MATERIEL CORPORATION claims property right in the material disclosed hereon. This drawing is not to be copied or engineering information or any part thereof reproduced or used to manufacture anything shown hereon without permission from THE TECHNICAL MATERIEL CORPORATION to the user. This drawing is loaned for mutual assistance and is subject to recall at any time.

Property of:  
THE TECHNICAL MATERIEL CORPORATION  
MAMARONECK, NEW YORK



- A - 1/64 (.171) D. 4 Req.
- B - 1/2 (.500) D. 1 Req.
- C - 1 (1.000) D. 1 Req.
- D - 13/64 (.203) D. 2 Req.

ISSUE	ITEM	CHANGED FROM	DATE	CH. NO.	DRAFTS	CHECKER	ENG. APP.
B	1	ONE "A" Hole Added (9/16 x 13/4)	5/24/58	2	16	REB	<i>[Signature]</i>
A	1	TWO "D" Holes on Switch mtg. were "A" Holes	5/21/58	1	16	<i>[Signature]</i>	<i>[Signature]</i>

TOLERANCES		SCALE: FULL	
DEC. DIM. ±	MAXIMUM ALLOWABLE TOLERANCES HAVE BEEN DETERMINED AND ANY DEVIATIONS WILL BE CAUSE FOR REJECTION.	1	RFA-1
FRAC. DIM. ± 1/64	REMOVE ALL BURRS AND SHARP EDGES	REQ. PER UNIT	MODEL
ANGULAR DIM. ± 2°			PROJECT NO.

1	RFA-1	PAL-350		5/17/58
REQ. PER UNIT	MODEL	PROJECT NO.	ASS'Y. NO.	DATE
USED ON				

REQ. ITEM	PART NO.	DESCRIPTION		SYMBOL
1/8 THK.		THE TECHNICAL MATERIEL CORP.		
STOCK SIZE		MAMARONECK, NEW YORK		
MELAMINE		PLATE, PA BANDSWITCH		
MATERIAL				
G-5		16 5/17/58	<i>[Signature]</i>	<i>[Signature]</i>
TYPE & TEMPER	HEAT TREAT. SPEC.	RE-DRAWN	CHECKED	FINAL APPROVAL
NATURAL			REB	PX-409 B
FINISH & SPEC. NO.		ELEC. DES. APP.	MECH. DES. APP.	