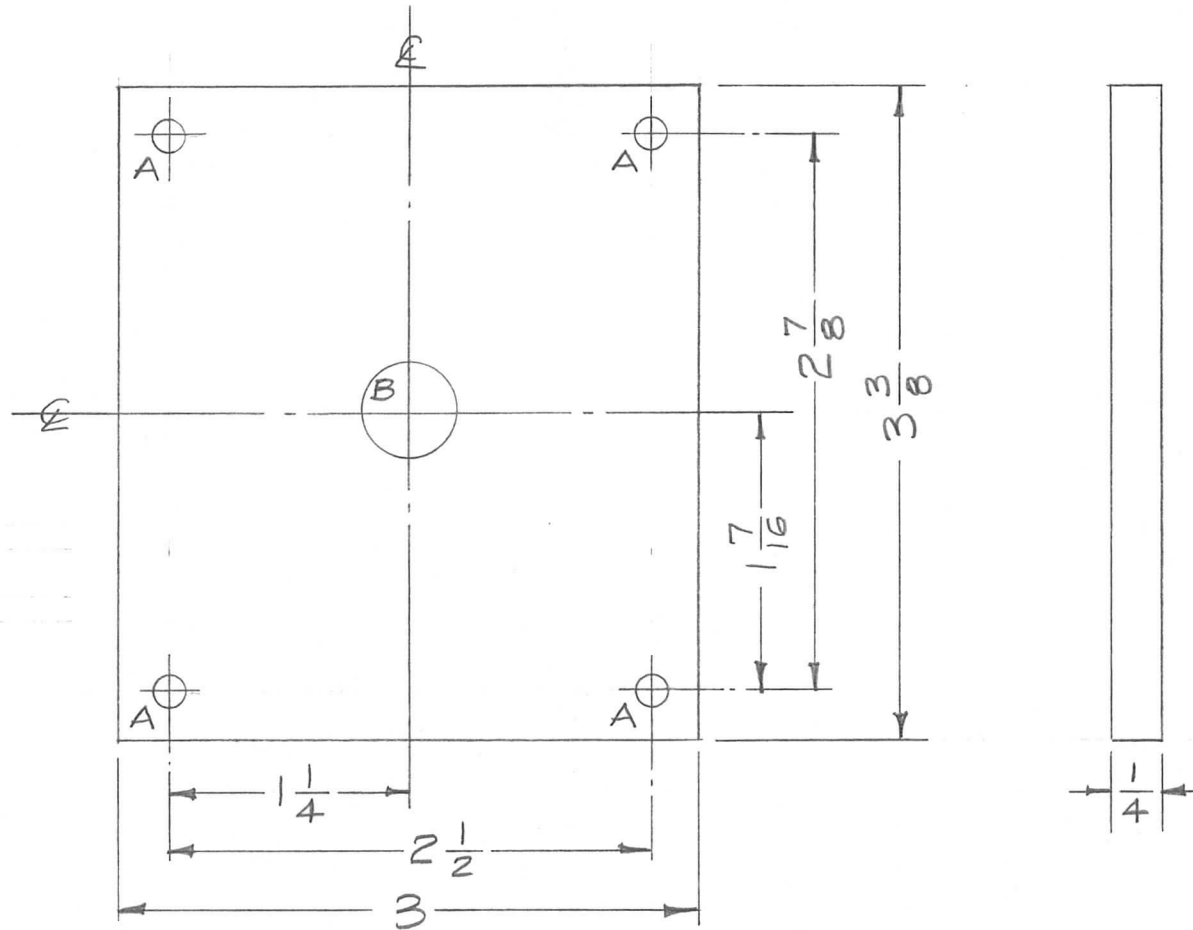


REQ. PER UNIT	USED ON			PX-394
	MODEL	ASS'Y. NO.	DATE	
	1	ATS-50TU		
1	ATS-70TU		12-18-57	



A - 1/64 (.171) D. 4 Req.
 B - 1/2 (.500) D. 1 Req.

ISSUE	ITEM	CHANGED FROM	DATE	CH. NO.	DRAFTS	CHECKER	ENG. APP.	REQ. ITEM	PART NO.	DESCRIPTION	SYMBOL		
									1/4 THK.	THE TECHNICAL MATERIEL CORP. MAMARONECK, NEW YORK			
									STOCK SIZE		PLATE, INSULATOR, DRIVE		
									TEFLON		SHAFT		
									MATERIAL				
										12-18-57			
TOLERANCES								SCALE: FULL					
DEC. DIM. ±								MAXIMUM ALLOWABLE TOLERANCES HAVE BEEN DETERMINED AND ANY DEVIATIONS WILL BE CAUSE FOR REJECTION.					
FRAC. DIM. ± 1/64								REMOVE ALL BURRS AND SHARP EDGES					
ANGULAR DIM. ±								TYPE & TEMPER		HEAT TREAT. SPEC.	DRAWN	CHECKED	FINAL APPROVAL
								NATURAL					
								FINISH & SPEC. NO.		ELEC. DES. APP.	MECH. DES. APP.	PX-394	