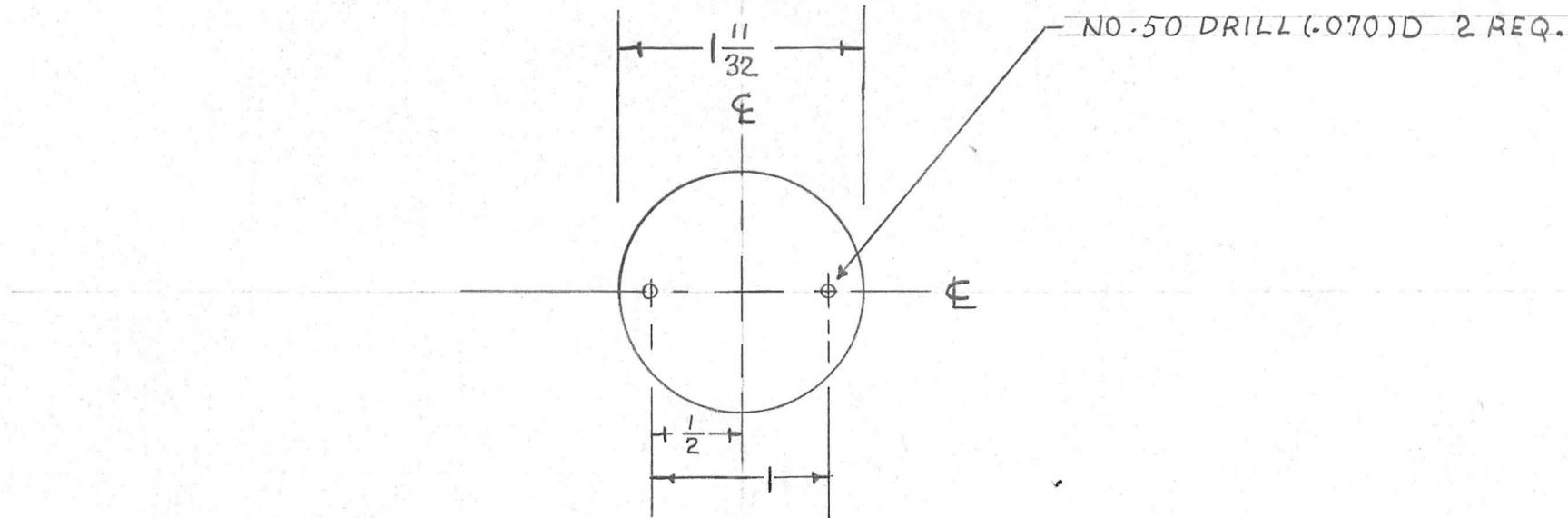


REQ. PER UNIT	USED ON		
	MODEL	ASS'Y. NO.	DATE
1	SBE-1		7-24-57
1	SBE-2		5-5-58
1	SBE-3	AP-101	11-30-59

PX-377 A



(See PX-240 for Lens with Red Line)

REQ.	ITEM	PART NO.	DESCRIPTION				SYMBOL
		.040 THK ±.015	THE TECHNICAL MATERIEL CORP.				
		STOCK SIZE	MAMARONECK, NEW YORK				
A	TOL ADDED STK SIZE	6.8.67 18268 WFD	LENS, DIAL, PLAIN				
ISSUE	ITEM	CHANGED FROM	DATE	CH. NO.	DRAFTS	CHECKER	ENG. APP.
TOLERANCES			SCALE:				
DEC. DIM. ±			MAXIMUM ALLOWABLE TOLERANCES HAVE BEEN DETERMINED AND ANY DEVIATIONS WILL BE CAUSE FOR REJECTION.				
FRAC. DIM. ±			REMOVE ALL BURRS AND SHARP EDGES				
ANGULAR DIM. ±			TYPE & TEMPER		HEAT TREAT. SPEC.		DRAWN
							CHECKED
			FINISH & SPEC. NO.		ELEC. DES. APP.		MECH. DES. APP.
							PX-377 A