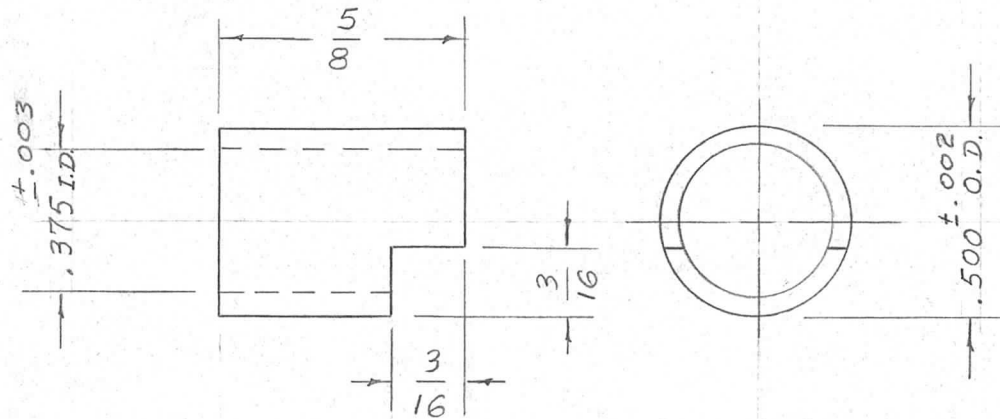


REQ. PER UNIT	USED ON			PX-333	A
	MODEL	ASS'Y. NO.	DATE		
	Z	GPR-90			
Z	GPR-90R		2-15-56		



								REQ. ITEM	PART NO.	DESCRIPTION	SYMBOL		
									.500 TUBING	THE TECHNICAL MATERIEL CORP. MAMARONECK, NEW YORK	A		
									STOCK SIZE				
									PHENOLIC	TERMINAL CAP, METER			
									MATERIAL	GPR			
ISSUE	ITEM	CHANGED FROM	DATE	CH. NO.	DRAFTS	CHECKER	ENG. APP.	XXXXP LAMINATE	— # —	B 2-15-56	JAW	WE	
TOLERANCES			SCALE:					TYPE & TEMPER		DRAWN	CHECKED	FINAL APPROVAL	
DEC. DIM. \pm			MAXIMUM ALLOWABLE TOLERANCES HAVE BEEN DETERMINED AND ANY DEVIATIONS WILL BE CAUSE FOR REJECTION. REMOVE ALL BURRS AND SHARP EDGES					BLACK				PX-333	
FRAC. DIM. \pm								FINISH & SPEC. NO.		ELEC. DES. APP.	MECH. DES. APP.		
ANGULAR DIM. \pm													