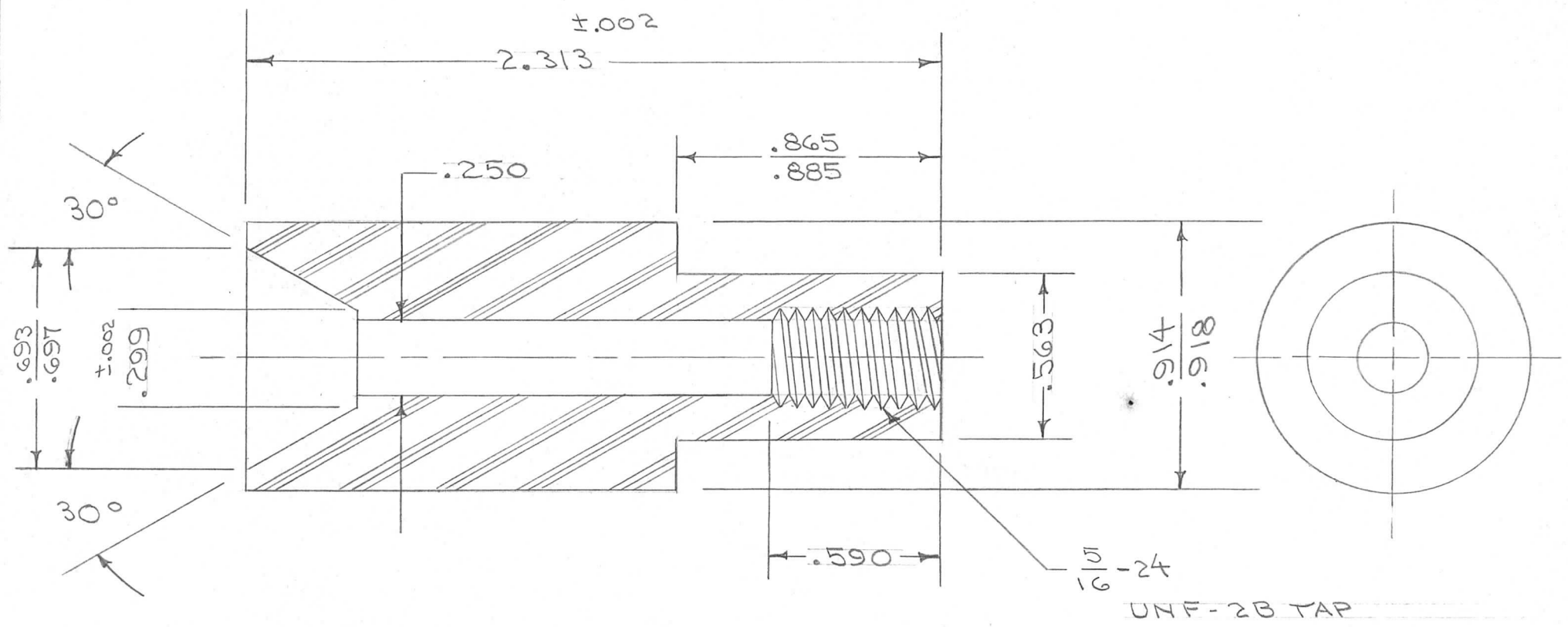


REQ. PER UNIT	USED ON			PX-319
	MODEL	ASS'Y. NO.	DATE	
1	JJ-134		12-15-55	



REQ.	ITEM	PART NO.	DESCRIPTION			SYMBOL
			THE TECHNICAL MATERIEL CORP. MAMARONECK, NEW YORK			
			STOCK SIZE			
			TEFLON			INSULATOR
			MATERIAL			
			BEST		CD 12-15-55	JAL
			COMMERCIAL			WDC
			TYPE & TEMPER	HEAT TREAT. SPEC.	DRAWN	CHECKED
			FINISH & SPEC. NO.	ELEC. DES. APP.	MECH. DES. APP.	
						PX-319

ISSUE	ITEM	CHANGED FROM	DATE	CH. NO.	DRAFTS	CHECKER	ENG. APP.
TOLERANCES			SCALE:				
DEC. DIM. ±			MAXIMUM ALLOWABLE TOLERANCES HAVE BEEN DETERMINED AND ANY DEVIATIONS WILL BE CAUSE FOR REJECTION.				
FRAC. DIM. ±			REMOVE ALL BURRS AND SHARP EDGES				
ANGULAR DIM. ±							