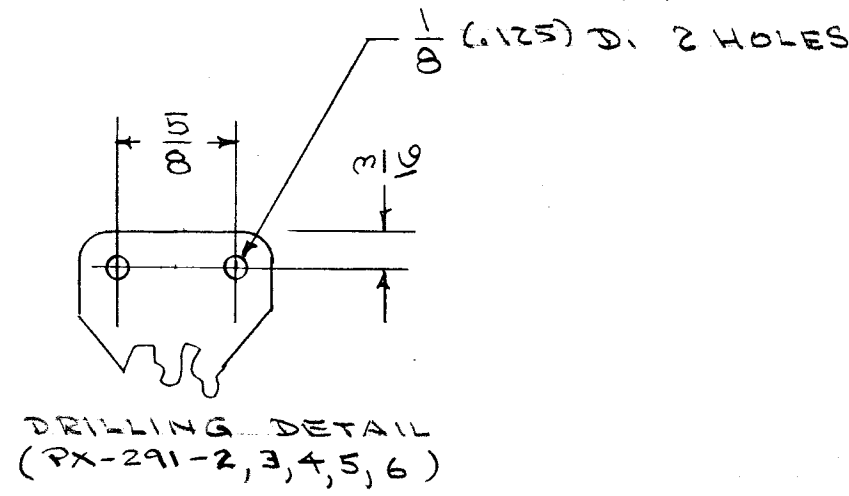
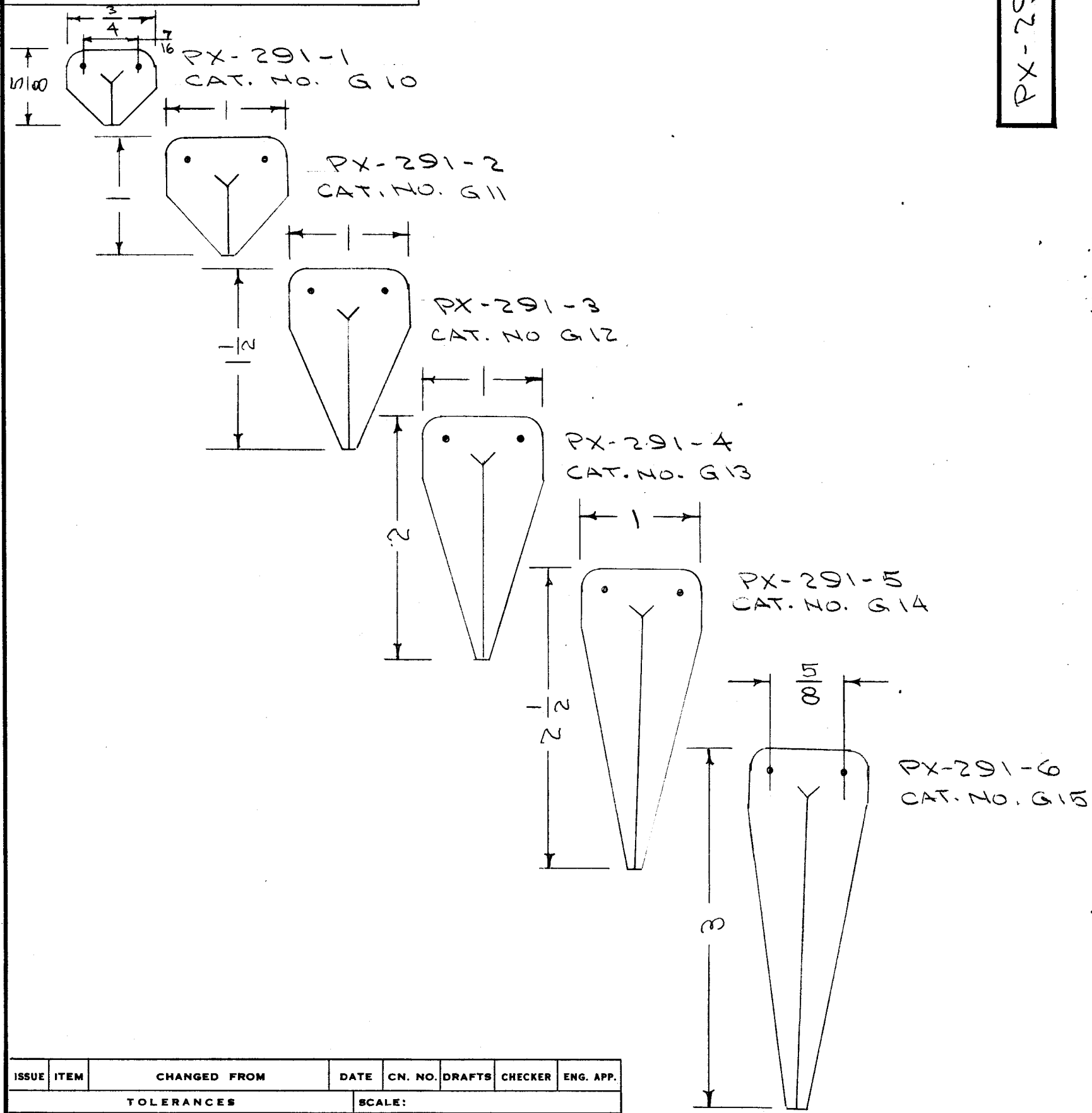


IF IT IS FOUND DESIRABLE TO CHANGE ANY TOLERANCE OR OTHER DETAIL SPECIFIED ON THIS DRAWING NOTIFY THE PURCHASER PROMPTLY.

MAXIMUM ALLOWABLE TOLERANCES HAVE BEEN DETERMINED AND DEVIATIONS WILL BE CAUSE FOR REJECTION. REMOVE ALL BURRS AND SHARP EDGES

# STANDARD DRAWING

PX-291



DIMENSIONS FOR REFERENCE ONLY.  
 CROWS FOOT FILLED W/ FUNGUS PROOF WHITE PIGMENT.

REF: ACKERMAN ENGRAVERS

REQ.	ITEM	PART NO.	DESCRIPTION	SYMBOL
		1/16" THK.	THE TECHNICAL MATERIEL CORP, MAMARONECK. NEW YORK	
		STOCK SIZE	SCALE INDICATOR	
		CLEAR PLASTIC		
		MATERIAL	WEIGHT PER PC.	
		HEAT RESISTANT		
		TYPE & TEMPER		
			DRAWN	ELEC. DES. APP. MECH. DES. APP.
			CHECKED	FINAL APPROVAL
				PX-291
			FINISH & SPEC. NO.	

ISSUE	ITEM	CHANGED FROM	DATE	CN. NO.	DRAFTS	CHECKER	ENG. APP.
TOLERANCES		SCALE:					
ALL OTHERS	DEC. DIM. ± FRAC. DIM. ± ANGULAR DIM. ±	DRILL, PUNCH, COMMERCIAL STOCK SIZES AND MANUFACTURERS TOLERANCES ARE NOT INCLUDED.					

REQ. PER UNIT	MODEL	PROJECT NO.	ASSY. NO.	DATE
	USED ON			