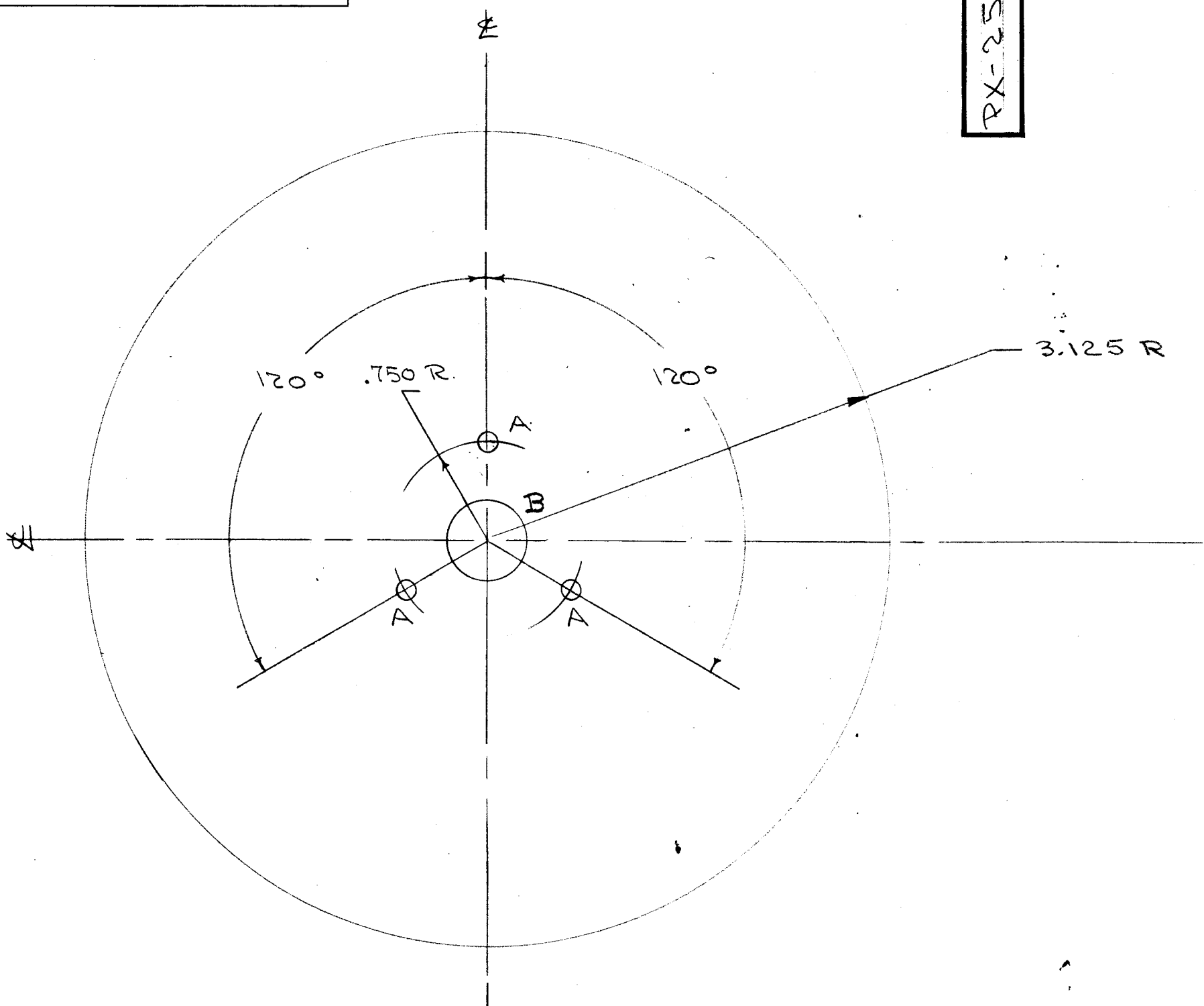


IF IT IS FOUND DESIRABLE TO CHANGE ANY TOLERANCE OR OTHER DETAIL SPECIFIED ON THIS DRAWING NOTIFY THE PURCHASER PROMPTLY.

MAXIMUM ALLOWABLE TOLERANCES HAVE BEEN DETERMINED AND DEVIATIONS WILL BE CAUSE FOR REJECTION. REMOVE ALL BURRS AND SHARP EDGES

PX-252 A



A - NO.30 (.128) D. 3 HOLES REQ.
 B - 5/8 (.625) D. 1 " "

NOTE:
 INSIDE DIA. ("B" HOLE) MUST BE CONCENTRIC WITH OUTSIDE DIA. WITHIN ±.005.

REF: LD-217, LD-611

REQ.	ITEM	PART NO.	DESCRIPTION	SYMBOL
		.040 THK.	THE TECHNICAL MATERIEL CORP.	
		STOCK SIZE	MAMARONECK, NEW YORK	
	VINYL		DIAL PLATE, BLANK	
	MATERIAL	WEIGHT PER PC.		
	LAMINATED			
	TYPE & TEMPER			
			EDD 3-4-55	III
			DRAWN	ELEC. DES. APP. MECH. DES. APP.
			HEAT TREAT. SPEC.	G.T.O
			WHITE	CHECKED
			TRANSLUCENT	FINAL APPROVAL
			FINISH & SPEC. NO.	PX-252 A

ISSUE	ITEM	CHANGED FROM	DATE	CN. NO.	DRAFTS	CHECKER	ENG. APP.
A	1	NOTE & RADIUS ADDED	5/16/54	1	JAD	ODD	WPC

REQ. PER UNIT	MODEL	PROJECT NO.	ASS'Y. NO.	DATE
2	GPR	297	A-1024	3-4-55

TOLERANCES: DEC. DIM. ± .005, FRAC. DIM. ± 1/64, ANGULAR DIM. ± 1/2°
 SCALE: DRILL, PUNCH, COMMERCIAL STOCK SIZES AND MANUFACTURERS TOLERANCES ARE NOT INCLUDED.

USED ON