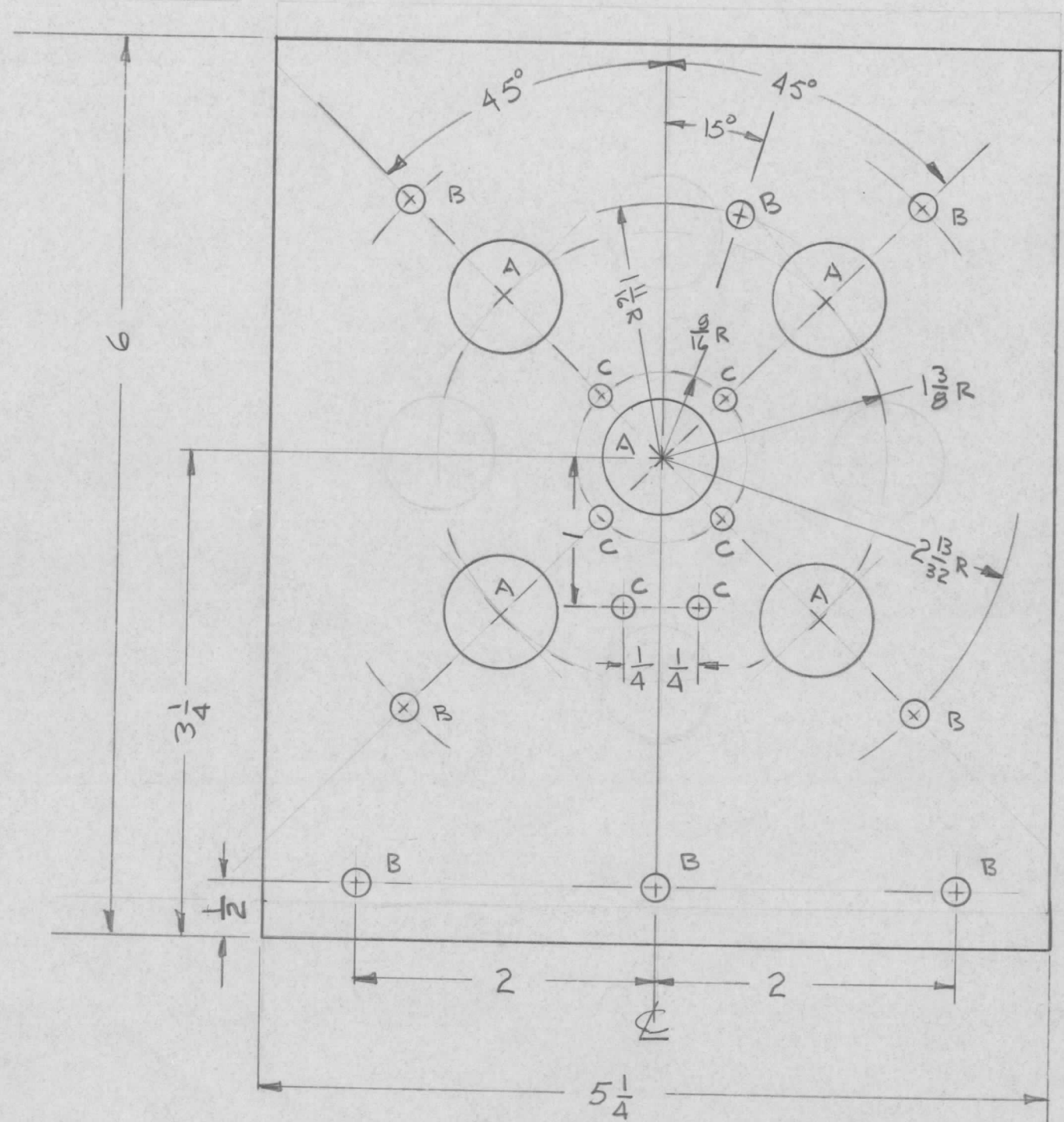


REVISIONS							
E.M.N. NO.	DRAFT	CHKD	ZONE	LTR	DESCRIPTION	DATE	APPROVED
	DV			Ø	ORIGINAL RELEASE FOR PRODUCTION	11/30/73	



A ~ 3/4 DIA. 5 REQ'D.
 B ~ 11/64 DIA. 8 REQ'D
 C ~ 9/64 DIA. 6 REQ'D

1	AX5176	AX5178
QTY / UNIT	MODEL USED ON	ASS'Y NO.
APPLICATION		
CODE		
NOTICE TO PERSONS RECEIVING THIS DRAWING THE TECHNICAL MATERIEL CORPORATION claims proprietary right in the material disclosed hereon. This drawing is issued in confidence for engineering information only and may not be reproduced or used to manufacture anything shown hereon without permission from THE TECHNICAL MATERIEL CORPORATION to the user. This drawing is loaned for mutual assistance and is subject to recall at any time.		

UNLESS OTHERWISE SPECIFIED DIMENSIONS ARE IN INCHES AND INCLUDE CHEMICALLY APPLIED OR PLATED FINISHES

DECIMALS	FRACTIONS
.X ± .05	1/64
.XX ± .01	TOLS. ANGLES
.XXX ± .005	0° - 30'

MATERIAL
1/8" G7

FINISH
S113 FUNGUS PROOF

REQ'D	ITEM	PART NUMBER	DESCRIPTION	SYM.
LIST OF MATERIAL				
FINAL APPROVAL <i>COB</i> DATE 11/6/73 MECH. DES. DATE ELECT. DES. DATE CHECKED <i>LR</i> DATE 11-6-73 DRAWN <i>JMM</i> DATE 7/11/73				
THE TECHNICAL MATERIEL CORP. MAMARONECK, NEW YORK BOARD, COIL MTG				
SIZE	CODE IDENT. NO.	DWG NO.	ISSUE	
B	82679	PX1234	Ø	
SCALE	SHEET			OF