

IF IT IS FOUND DESIRABLE TO CHANGE ANY TOLERANCE OR OTHER DETAIL SPECIFIED ON THIS DRAWING NOTIFY THE PURCHASER PROMPTLY.

PX-190 B

MAXIMUM ALLOWABLE TOLERANCES HAVE BEEN DETERMINED AND DEVIATIONS WILL BE CAUSE FOR REJECTION.  
REMOVE ALL BURRS AND SHARP EDGES

REQ. PER UNIT

USED ON

1

MODEL

PROJECT NO.

ASS'Y. NO.

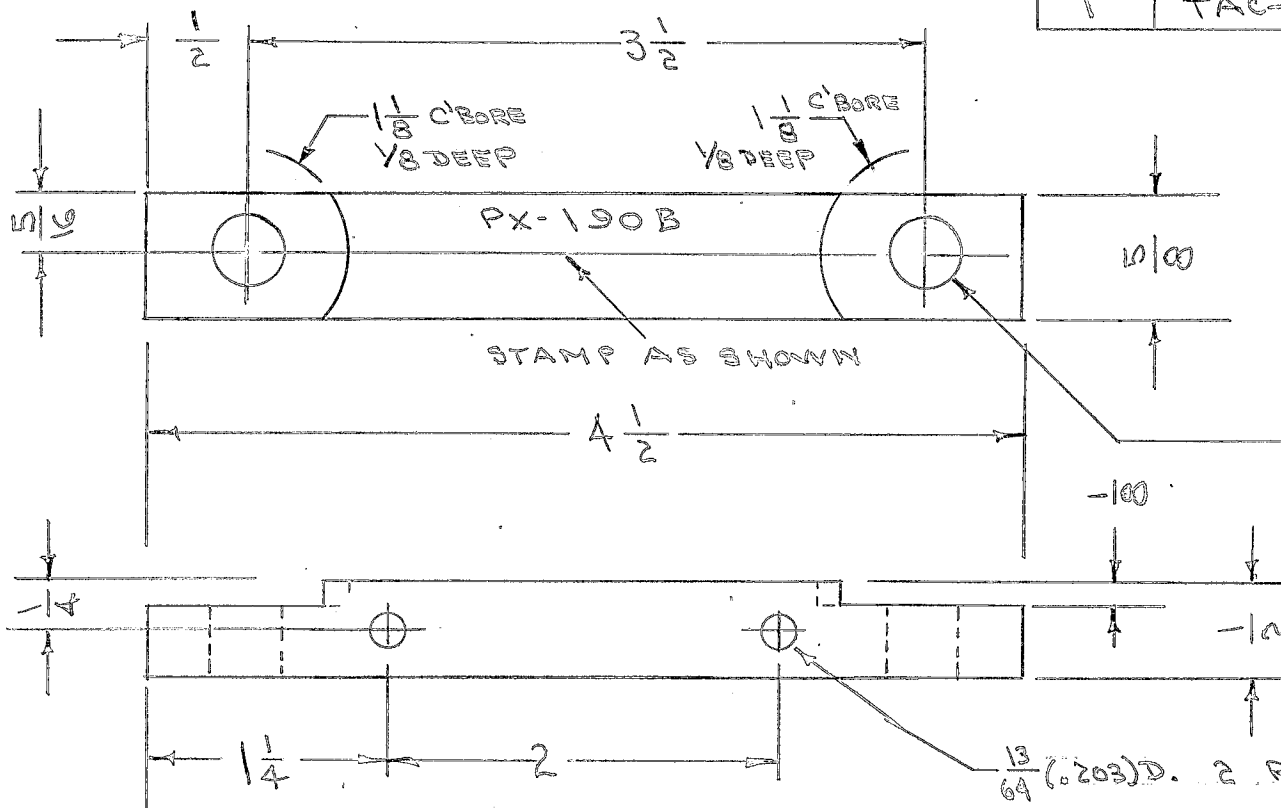
DATE

TAC-1

132

A-717

1-21-54



\* FUNGUS PROOFING PER TMC SPECIFICATION S-113

REQ.	ITEM	PART NO.	DESCRIPTION	SYMBOL
		1/2 THK.	THE TECHNICAL MATERIEL CORP.	
		STOCK SIZE	MAMARONECK, NEW YORK	
		PHENOLIC	REAR COND. ELEMENT	
		MATERIAL	TAC-1	
		WEIGHT PER PC.		
		XXX LAMINATE		
		TYPE & TEMPER		
		HEAT TREAT. SPEC.		
		NATURAL *		
		FINISH & SPEC. NO.		

ISSUE	ITEM	CHANGED FROM	DATE	CN. NO.	DRAFTS	CHECKER	ENG. APP.
B		5113 ADDED	1/13/54	11186	A.M.	JAB	OSB
A	1	25/64 WAS 3/8	2/10/54	1	CDD	JAB	WJC

TOLERANCES		SCALE	DRILL, PUNCH, COMMERCIAL STOCK SIZES AND MANUFACTURERS TOLERANCES ARE NOT INCLUDED.
ALL OTHERS	DEC. DIM. ± FRAC. DIM. ± 1/64 ANGULAR DIM. ±	1/2"	

PX-190 B