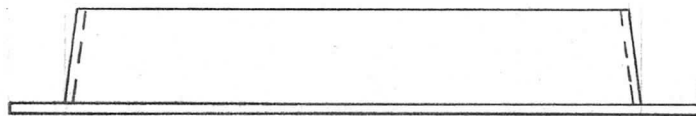
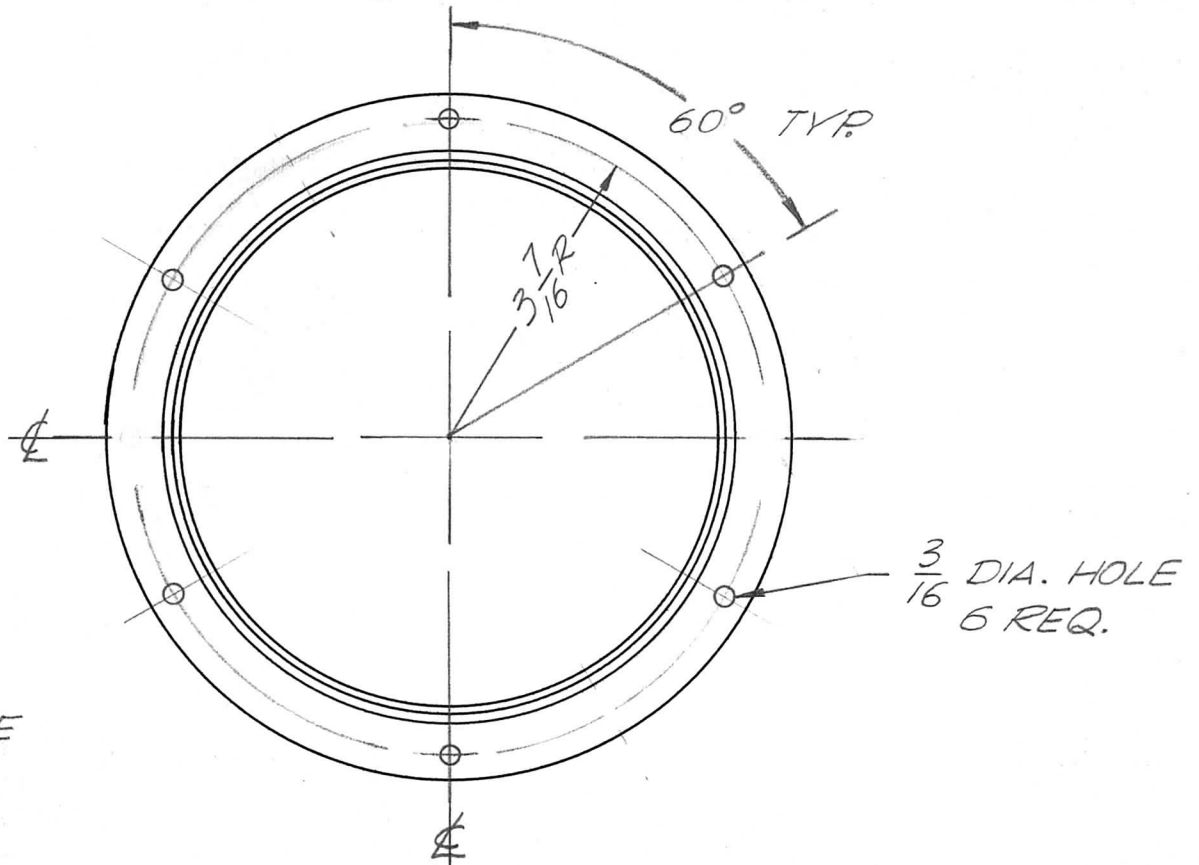


APPLICATION			REVISIONS						
QTY	MODEL USED ON	ASS'Y NO.	LTR	DESCRIPTION	DATE	E.M.N.NO	DRAFT	CHKD	APPD
1	PALA 10 K	AP48	X	EXP RELEASE	12-2-69		GE		
			Ø	ORIGINAL RELEASE	1/30/70		W.		



REQ'D	ITEM	PART NUMBER	DESCRIPTION	SYM.
1	1	FP 206-2	FLUE, OUTER FLANGED	

UNLESS OTHERWISE SPECIFIED DIMENSIONS ARE IN INCHES AND INCLUDE CHEMICALLY APPLIED OR PLATED FINISHES		F. BUDETTI		LIST OF MATERIAL	
DECIMALS .X ± .05 .XX ± .01 .XXX ± .005	FRACTIONS 1/64 ANGLES 0° - 30'	FINAL APPROVAL	DATE	THE TECHNICAL MATERIEL CORP. MAMARONECK, NEW YORK FLUE DR EXH.	
MATERIAL	MECH. DES.	DATE			
FINISH	ELECT. DES.	DATE			
	CHECKED	DATE			
	DRAWN	DATE			

NOTICE TO PERSONS RECEIVING THIS DRAWING				SIZE	CODE IDENT. NO.	DWG NO.	ISSUE
THE TECHNICAL MATERIEL CORPORATION claims proprietary right in the material disclosed hereon. This drawing is issued in confidence for engineering information only and may not be reproduced or used to manufacture anything shown hereon without permission from THE TECHNICAL MATERIEL CORPORATION to the user. This drawing is loaned for mutual assistance and is subject to recall at any time.				A	82679	PX-1097	Ø
SCALE			SHEET		OF		