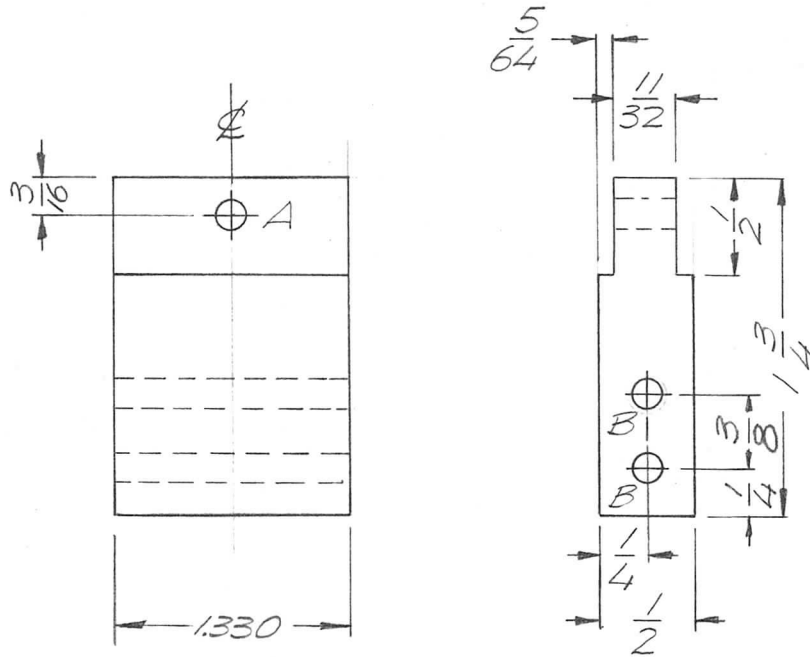


APPLICATION			REVISIONS						
QTY	MODEL USED ON	ASS'Y NO.	LTR	DESCRIPTION	DATE	E.M.N.NO	DRAFT	CHKD	APPD
1	PALA 10 K	AX5096	B	REDRAWN	4.29.70	19855	GE	<i>[Signature]</i>	



HOLE	DESCRIPTION	QTY.
A	9/64 DIA.	1
B	11/64 DIA.	2

UNLESS OTHERWISE SPECIFIED DIMENSIONS ARE IN INCHES AND INCLUDE CHEMICALLY APPLIED OR PLATED FINISHES DECIMALS FRACTIONS .X ± .05 1/64 .XX ± .01 TOLS. ANGLES .XXX ± .005 0° -30°	REQ'D	ITEM	PART NUMBER	DESCRIPTION	SYM.
	F. BUDETTI		LIST OF MATERIAL		
MATERIAL G10 EPOXY	MECH. DES.	DATE	THE TECHNICAL MATERIEL CORP. MAMARONECK, NEW YORK		
FINISH	ELECT. DES.	DATE	CONNECTOR, SOLENOID INSULATED		
	CHECKED	DATE			
	DRAWN GE	DATE 4.29.70			
NOTICE TO PERSONS RECEIVING THIS DRAWING THE TECHNICAL MATERIEL CORPORATION claims proprietary right in the material disclosed hereon. This drawing is issued in confidence for engineering information only and may not be reproduced or used to manufacture anything shown hereon without permission from THE TECHNICAL MATERIEL CORPORATION to the user. This drawing is loaned for mutual assistance and is subject to recall at any time.			SIZE A	CODE IDENT. NO. 82679	DWG NO. PX 1089
			SCALE NTS	SHEET OF	
				ISSUE B	