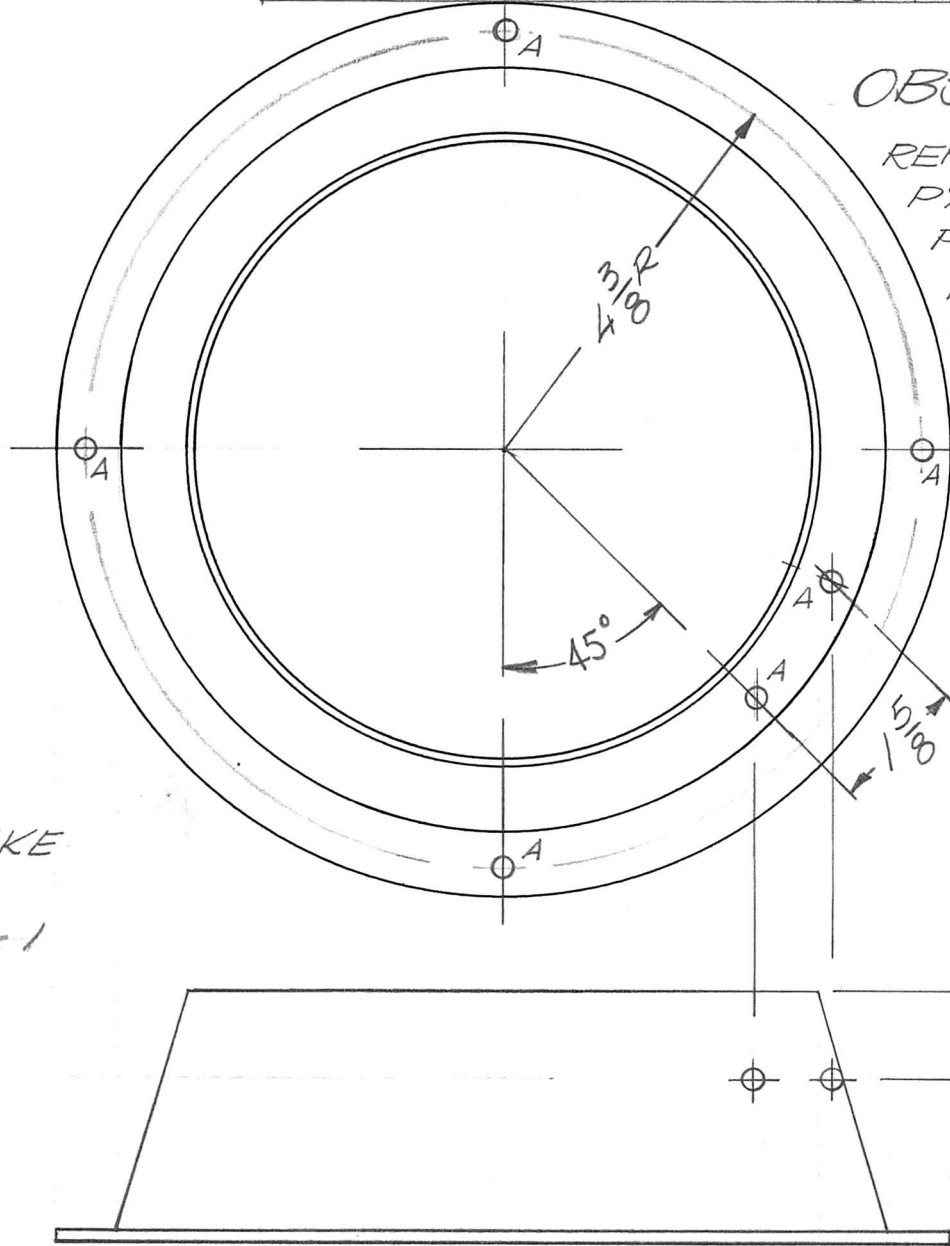


APPLICATION			REVISIONS							
QTY	MODEL USED ON	ASS'Y NO.	LTR	DESCRIPTION	DATE	E.M.N.NO	DRAFT	CHKD	APPD	
1	PALA 10 K	AX5084	<del>A</del>	ORIGINAL RELEASE	123-69		GE			
			A	OBSOLETE NOTE ADD.	4-6-72	20580	GE	EP	EP	



**OBSOLETE**  
 REPLACED BY  
 PX1178 USE FOR  
 PALA-10K &  
 HFLA-10K WITH  
 8794 FINAL  
 AMP SPARE  
 PARTS ONLY

ALL A HOLES  
 3/16 DIA.

REF. MAKE  
 FROM  
 FP206-1

1	1	FP206-1	FLUE, OUTER FLANGED	
REQ'D	ITEM	PART NUMBER	DESCRIPTION	SYM.

LIST OF MATERIAL			
UNLESS OTHERWISE SPECIFIED DIMENSIONS ARE IN INCHES AND INCLUDE CHEMICALLY APPLIED OR PLATED FINISHES		FINAL APPROVAL	DATE
DECIMALS: .X ± .05, .XX ± .01, .XXX ± .005; FRACTIONS: 1/64, ANGLES: 0° - 30'		MECH. DES. ALP.	DATE 12/2/70
MATERIAL	ELECT. DES.	CHECKED	DATE
FINISH	DRAWN	EVANGELIST	DATE 123-69

**THE TECHNICAL MATERIEL CORP.**  
 MAMARONECK, NEW YORK

**FLUE, FINAL, TUBE**

SIZE	CODE IDENT. NO.	DWG NO.	ISSUE
A	82679	PX1078	A

**NOTICE TO PERSONS RECEIVING THIS DRAWING**  
 THE TECHNICAL MATERIEL CORPORATION claims proprietary right in the material disclosed hereon. This drawing is issued in confidence for engineering information only and may not be reproduced or used to manufacture anything shown hereon without permission from THE TECHNICAL MATERIEL CORPORATION to the user. This drawing is loaned for mutual assistance and is subject to recall at any time.

SCALE 1:2 SHEET OF