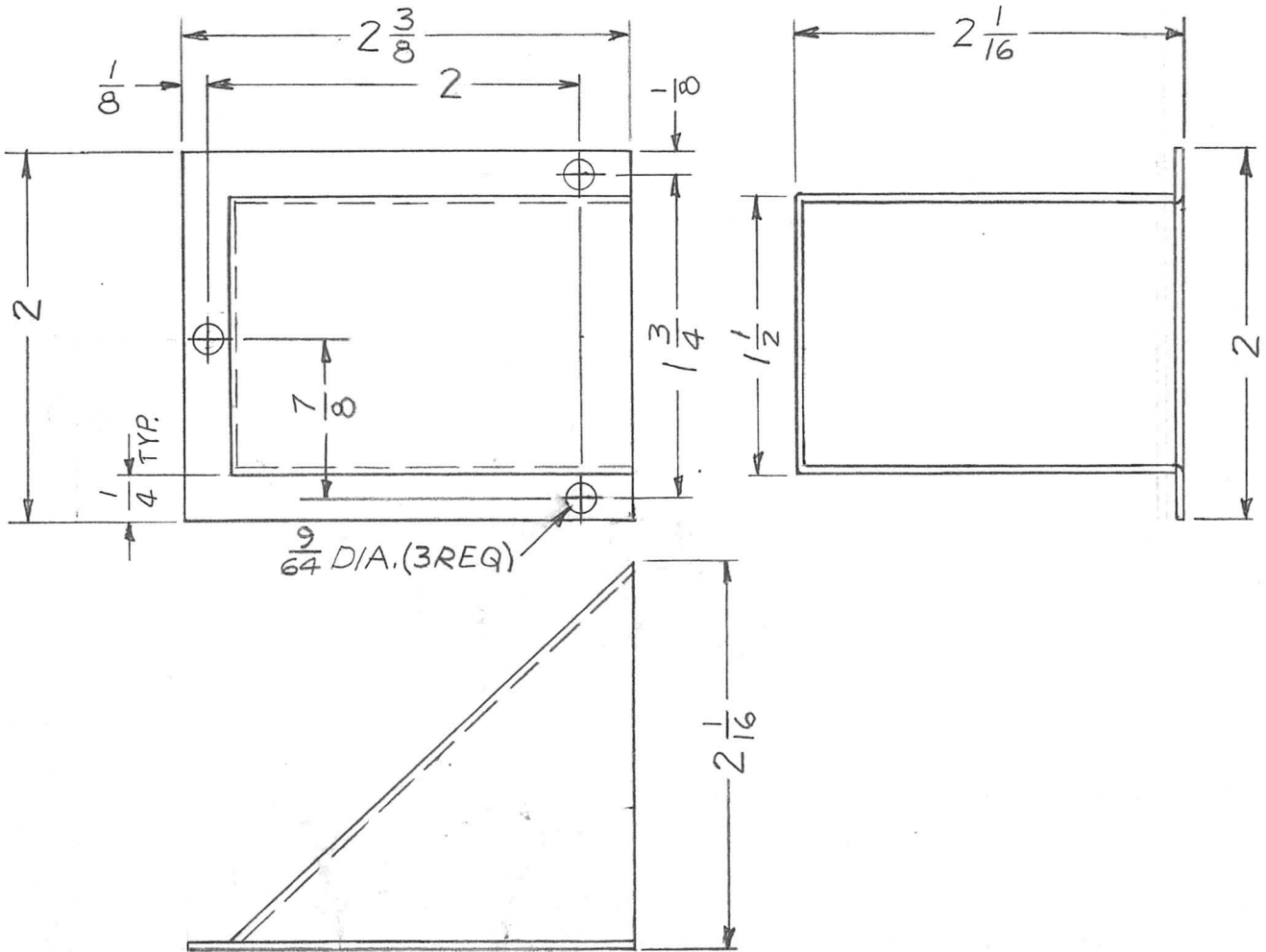


APPLICATION			REVISIONS					
QTY	MODEL USED ON	ASS'Y NO.	LTR	DESCRIPTION	DATE	E.M.N.NO	DRAFT	CHK
1	BCT-10KA	AX683	X	EXP. RELEASE	2.7.68	+	WZ.	///
			Ø	ORIGINAL RELEASE FOR PRODUCTION	4/1/68	Ø	WZ.	///



UNLESS OTHERWISE SPECIFIED DIMENSIONS ARE IN INCHES AND INCLUDE CHEMICALLY APPLIED OR PLATED FINISHES

REQ'D	ITEM	PART NUMBER	DESCRIPTION	SYM.
LIST OF MATERIAL				
F. BUDETTI			THE TECHNICAL MATERIEL CORP.	
FINAL APPROVAL			MAMARONECK, NEW YORK	
MECH. DES.			FLUE, AIR	
ELECT. DES.				
CHECKED				
DRAWN				
MATERIAL 2 LAYERS FIBERGLASS				
FINISH GREY EPOXY PAINT				
S401-451				

NOTICE TO PERSONS RECEIVING THIS DRAWING
 THE TECHNICAL MATERIEL CORPORATION claims proprietary right in the material disclosed hereon. This drawing is issued in confidence for engineering information only and may not be reproduced or used to manufacture anything shown hereon without permission from THE TECHNICAL MATERIEL CORPORATION to the user. This drawing is loaned for mutual assistance and is subject to recall at any time.

SIZE A	CODE IDENT. NO. 82679	DWG NO. PX1052	ISSUE Ø
SCALE 1:1	SHEET		OF