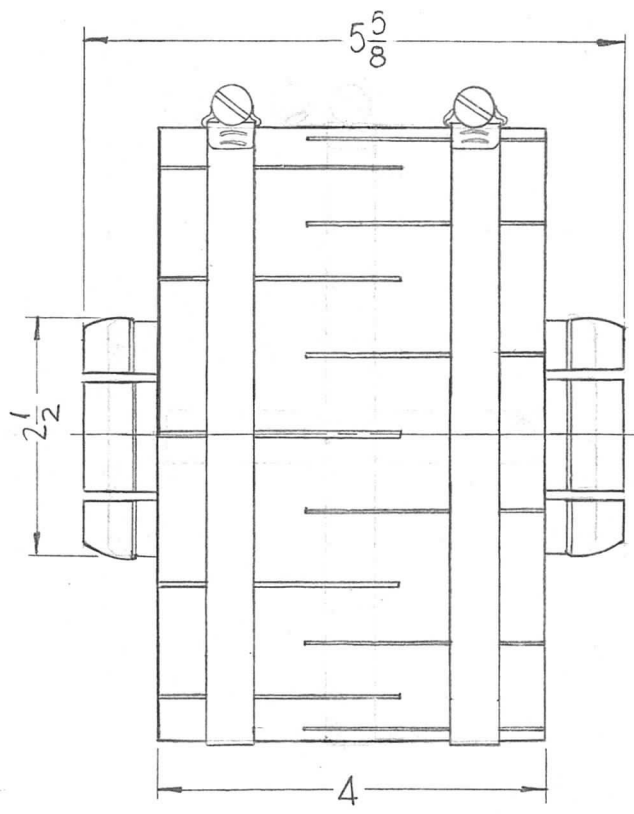
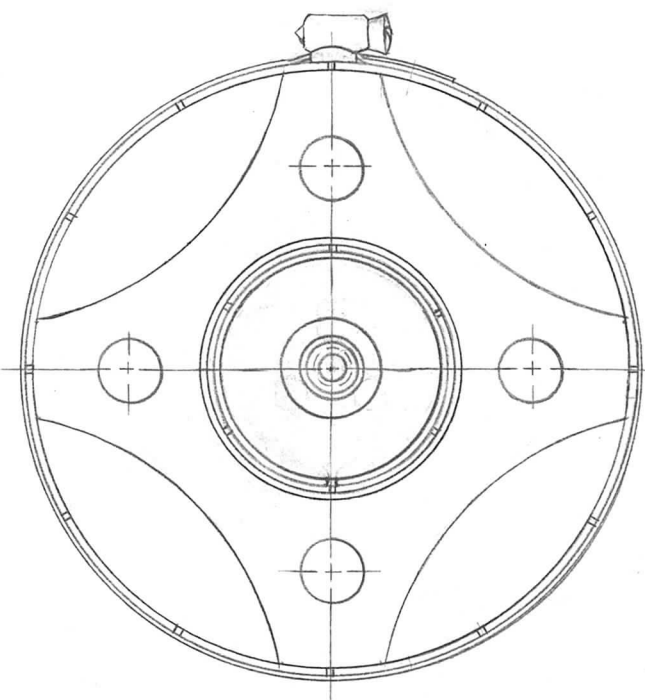


REQ. PER UNIT	USED ON			PO-294 0
	MODEL	ASS'Y. NO.	DATE	
3	GPT-200K	A-3198	11-13-63	



NOTE:
ALL DIMENSIONS FOR REF. ONLY

							REQ. ITEM	PART NO.	F. BUDETTI	DESCRIPTION	SYMBOL
									THE TECHNICAL MATERIEL CORP. MAMARONECK. NEW YORK		
									UNGASSED COUPLING, 6 1/8		
0	ORIG. RELEASE FOR PROD.	5-16-64		SRG							
SYM	DESCRIPTION	DATE	CH. NO.	DRAFTS	CHECKER	ENG. APP.	MATERIAL				
UNLESS OTHERWISE SPECIFIED DIMENSIONS ARE IN INCHES AND INCLUDE CHEMICALLY APPLIED OR PLATED FINISHES						SCALE	1/2" = 1"		SRG	aa	Ra
DECIMALS	TOLERANCES	FRACTIONS	CODE				TYPE & TEMPER	HEAT TREAT. SPEC.	DRAWN	CHECKED	FINAL APPROVAL
.X ± .05 .XX ± .01 .XXX ± .005		± 1/64 ANGLES ± 0° 30'	C						SRG	aa	PO-294 0
FINISH & SPEC. NO.								ELEC. DES. APP.	MECH. DES. APP.		