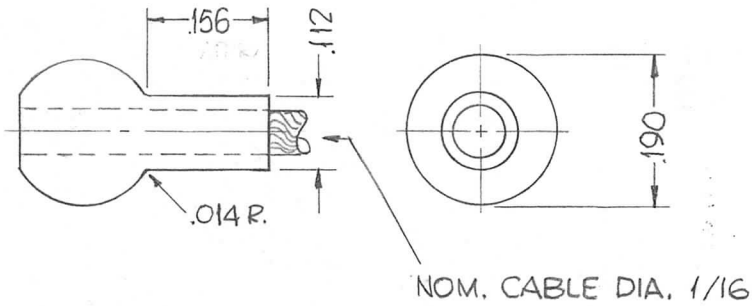


REQ. PER UNIT	USED ON			PO-292	0
	MODEL	ASS'Y. NO.	DATE		
10	GPT-200K (AX-395)	A-3255	8-13-63		



NOTE:
DIM. AFTER SWAGING

							REQ.	ITEM	PART NO.	F. BUDETTI	DESCRIPTION	SYMBOL			
										THE TECHNICAL MATERIEL CORP. MAMARONECK. NEW YORK					
							STAINLESS STEEL			BALL END, WIRE ROPE STOP					
○	ORIGINAL RELEASE FOR PRODUCTION	3-1-64					MATERIAL								
SYM	DESCRIPTION	DATE	CH. NO.	DRAFTS	CHECKER	ENG. APP.	303			SRG	aa	KAC 3-30-64			
UNLESS OTHERWISE SPECIFIED DIMENSIONS ARE IN INCHES AND INCLUDE CHEMICALLY APPLIED OR PLATED FINISHES							SCALE 3X								
DECIMALS .X ± .05 .XX ± .01 .XXX ± .005		FRACTIONS ± 1/64 ANGLES ± 0° 30'		TOLERANCES		CODE C	S401-277 (MS-20664-C2)			S104-PASSIVATE					
							FINISH & SPEC. NO.			DRAWN 28 LB		CHECKED PB		FINAL APPROVAL PO-292 0	
										ELEC. DES. APP.		MECH. DES. APP.			