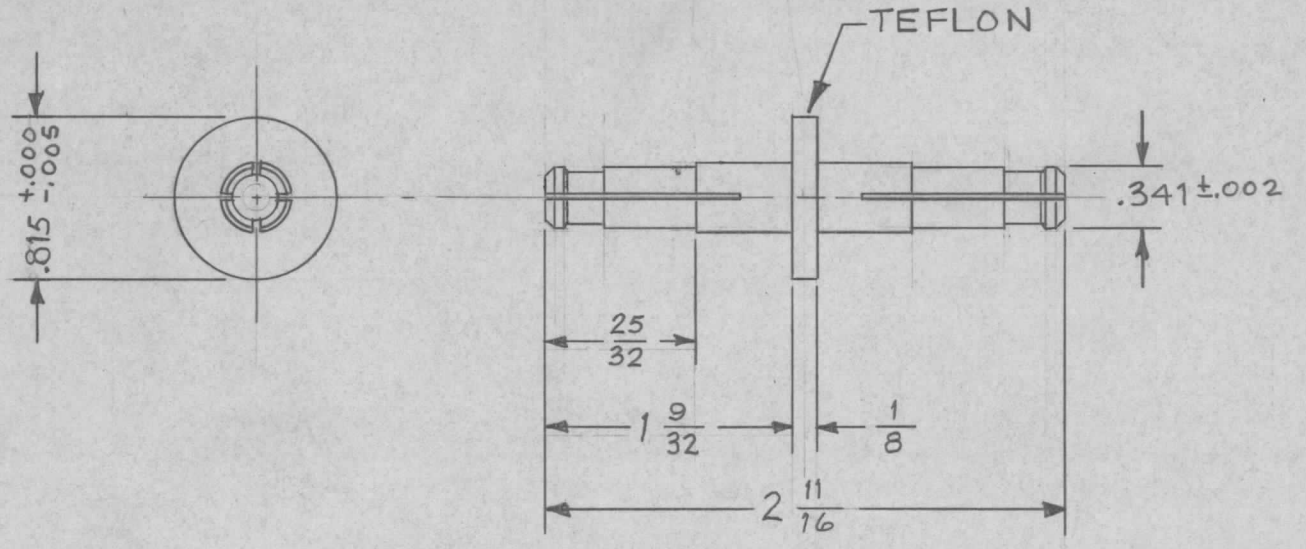


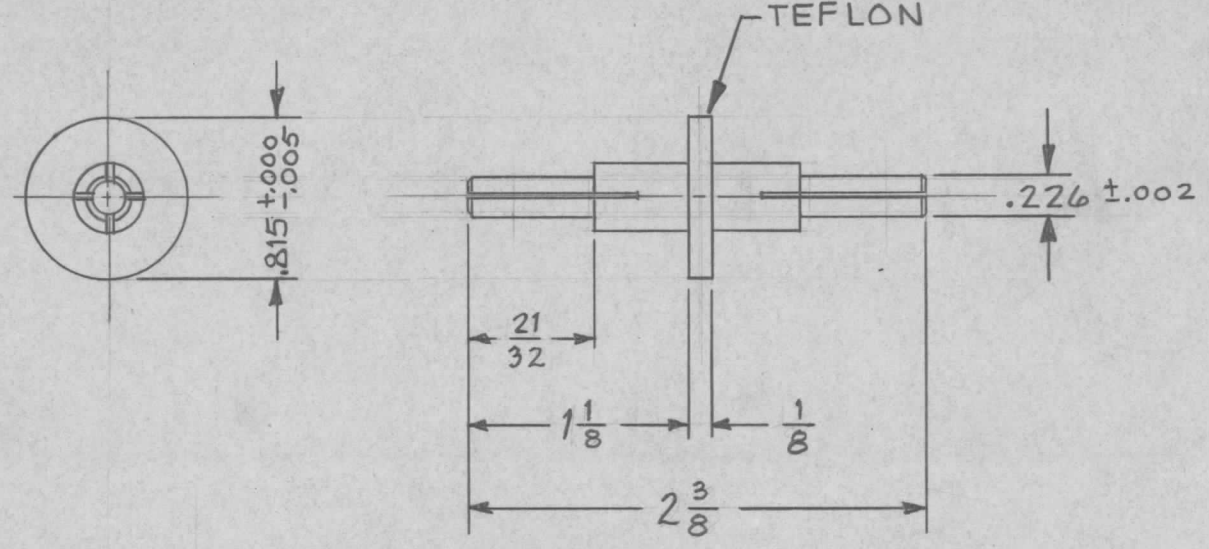
TMC PART No.	IMPEDANCE	BODY MATERIAL	MFR. PART No.
PO-287-50	50 OHMS	PHOSPHOR BRONZE	18275
PO-287-70	70 OHMS	PHOSPHOR BRONZE	

A	REVISIONS						
	SYM	DESCRIPTION	DATE	E.M.N. NO.	DRAFT	CHKD	APPD
	A	ON CHART TMC P/N WAS PO-258-(ELRDP)	8.26.64	12123	WJB	JCS	JC

PO-287



PO-287-50



PO-287-70

STANDARD DRAWING

Q'TY./UNIT	MODEL USED ON	ASS'Y. NO.
SCALE	CODE	S401-31

THE CONTENTS OF THIS DRAWING ARE THE EXCLUSIVE PROPERTY OF THE TECHNICAL MATERIEL CORP. ITS UNAUTHORIZED USE OR REPRODUCTION IN WHOLE OR IN PART IS STRICTLY FORBIDDEN.

REQ'D.	ITEM	PART NUMBER	MARTINENGO	DESCRIPTION	SYMBOL
MARTINENGO LIST OF MATERIAL					
MATERIAL			THE TECHNICAL MATERIEL CORP. MAMARONECK, NEW YORK		
SEE CHART			TITLE CONNECTOR, ELECTRICAL 7/8 INNER		
FINISH			TITLE		
UNLESS OTHERWISE SPECIFIED DIMENSIONS ARE IN INCHES AND INCLUDE CHEMICALLY APPLIED OR PLATED FINISHES			DRAWN M TANTILLO DATE 10-2-63	FINAL APPROVAL KTC DATE 10/12/63	DATE
DECIMALS .X ± .05 .XX ± .01 .XXX ± .005	TOLERANCES ± 1/64 ANGLES ± 0° 30'	FRACTIONS ± 1/64 ANGLES ± 0° 30'	CHECKED JWC DATE 10/12/63	ELECT. DES. DATE	MECH. DES. DATE 10-2-63
			PO-287		A
			SHEET		REV. LTR.

NOTES