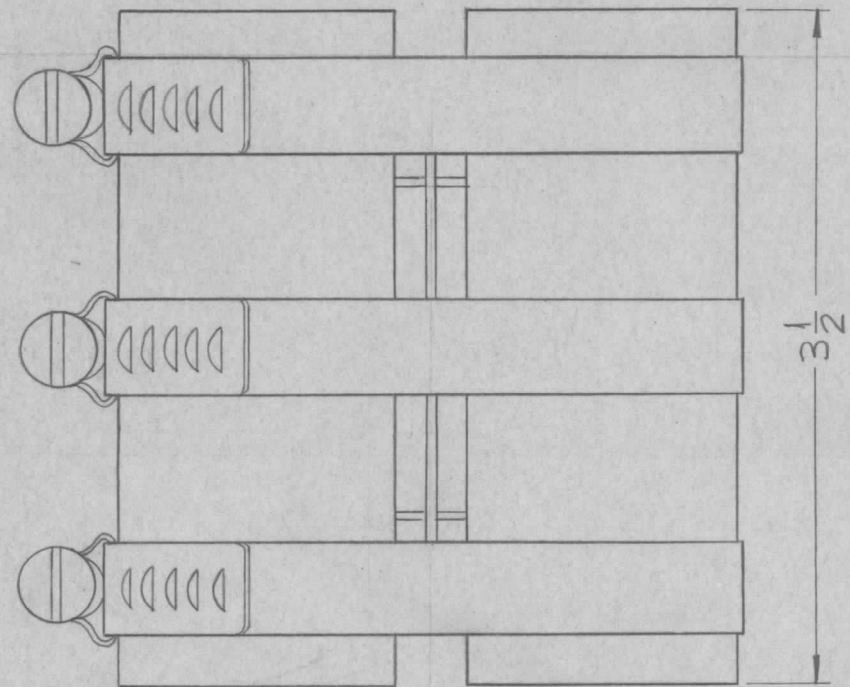
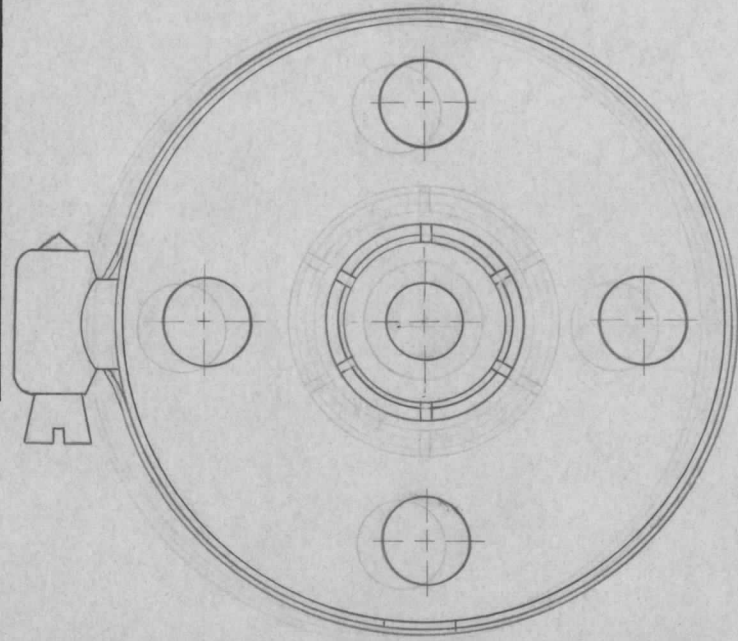
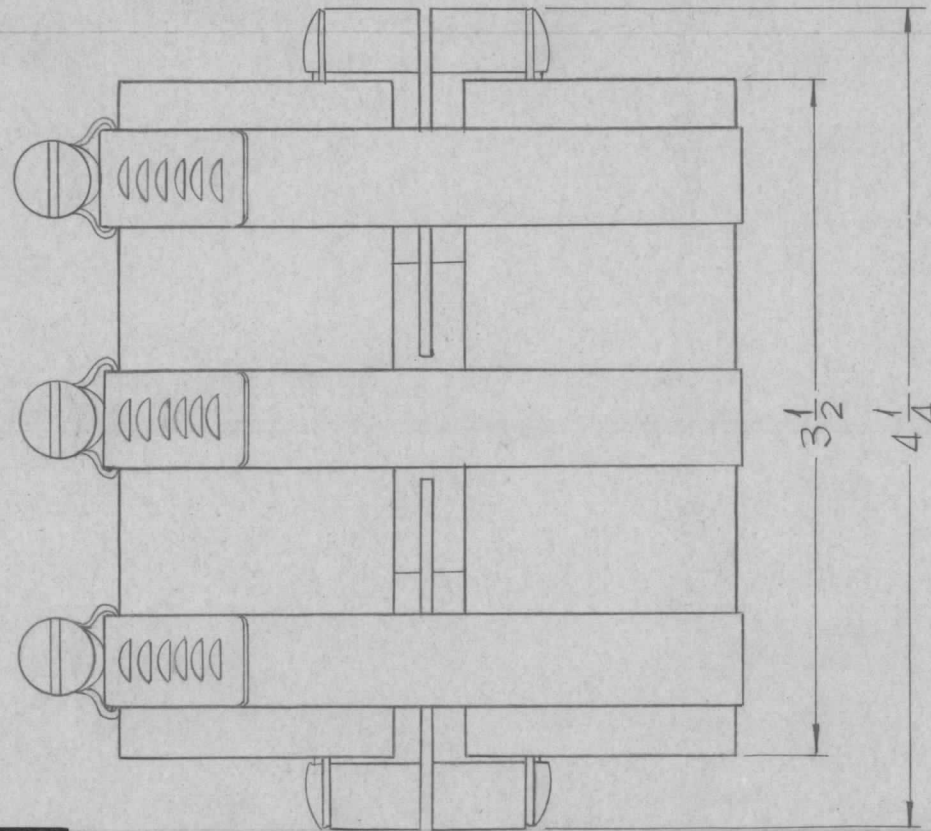
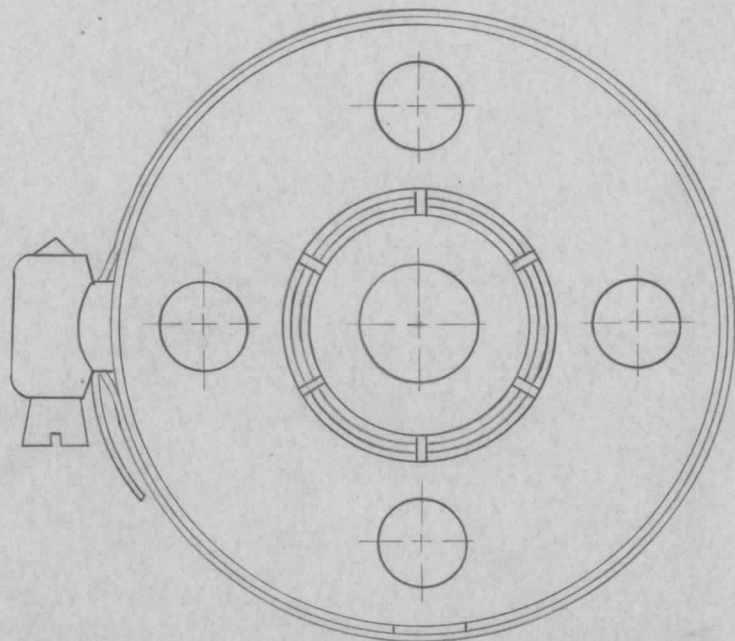


PO-275 0

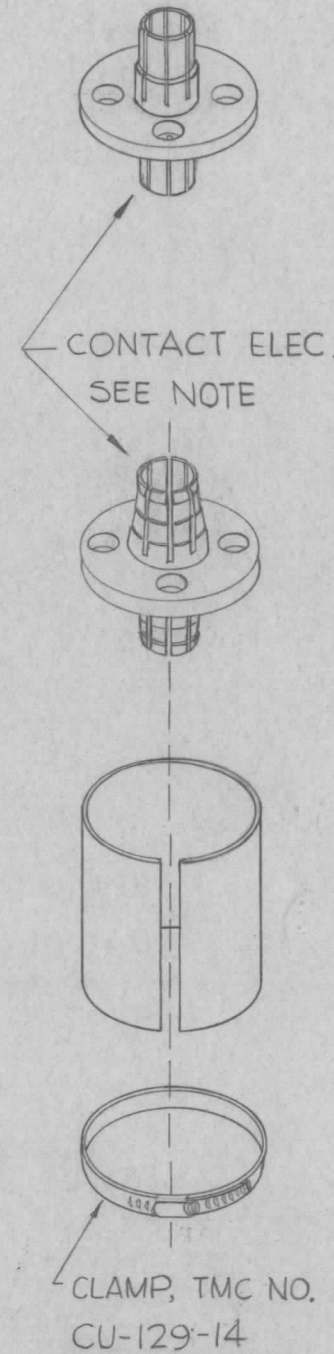


PO-275-70



PO-275-50

NOTE: FOR SPARE PARTS ONLY
 USE PO-210-50 FOR PO-275-50
 USE PO-210-70 FOR PO-275-70



SYMBOL	DESCRIPTION	DATE	CH. NO.	DRAFTS	CHECKER	ENG. APP.
Ø	ORIGINAL RELEASE	7.17.64		ASB		
UNLESS OTHERWISE SPECIFIED:		SCALE: 5/401-31				
DIMENSIONS ARE IN INCHES		MAXIMUM ALLOWABLE TOLERANCES HAVE BEEN DETERMINED AND ANY DEVIATIONS WILL BE CAUSE FOR REJECTION. REMOVE ALL BURRS AND SHARP EDGES				
TOLERANCES ON FRACTIONS ± 1/64 DECIMALS ± .005 ANGLES ± 1/2°						

REQ. PER UNIT	MODEL	SECTION	ASS'Y. NO.	DATE
1	GPT-200K		AX-392	6-18-63
USED ON				

REQ. ITEM	PART NO.	F. BUDETTI	DESCRIPTION	SYMBOL
			THE TECHNICAL MATERIEL CORP. MAMARONECK, NEW YORK	
	STOCK SIZE		COUPLING, UNGASSED 3-1/8	
	MATERIAL			
		SRG	MC	RL
	TYPE & TEMPER	HEAT TREAT. SPEC.	DRAWN	CHECKER
			EB	AO
	FINISH & SPEC. NO.	ELEC. DES. APP.	MECH. DES. APP.	FINAL APPROVAL
				PO-275