

THE CONTENTS OF THIS DRAWING ARE THE EXCLUSIVE PROPERTY OF THE TECHNICAL MATERIEL CORP. ITS UNAUTHORIZED USE FOR REPRODUCTION IN WHOLE OR IN PART IS STRICTLY FORBIDDEN.

REQ. PER UNIT

1

USED ON

MODEL

GPT-200K

ASS'Y. NO.

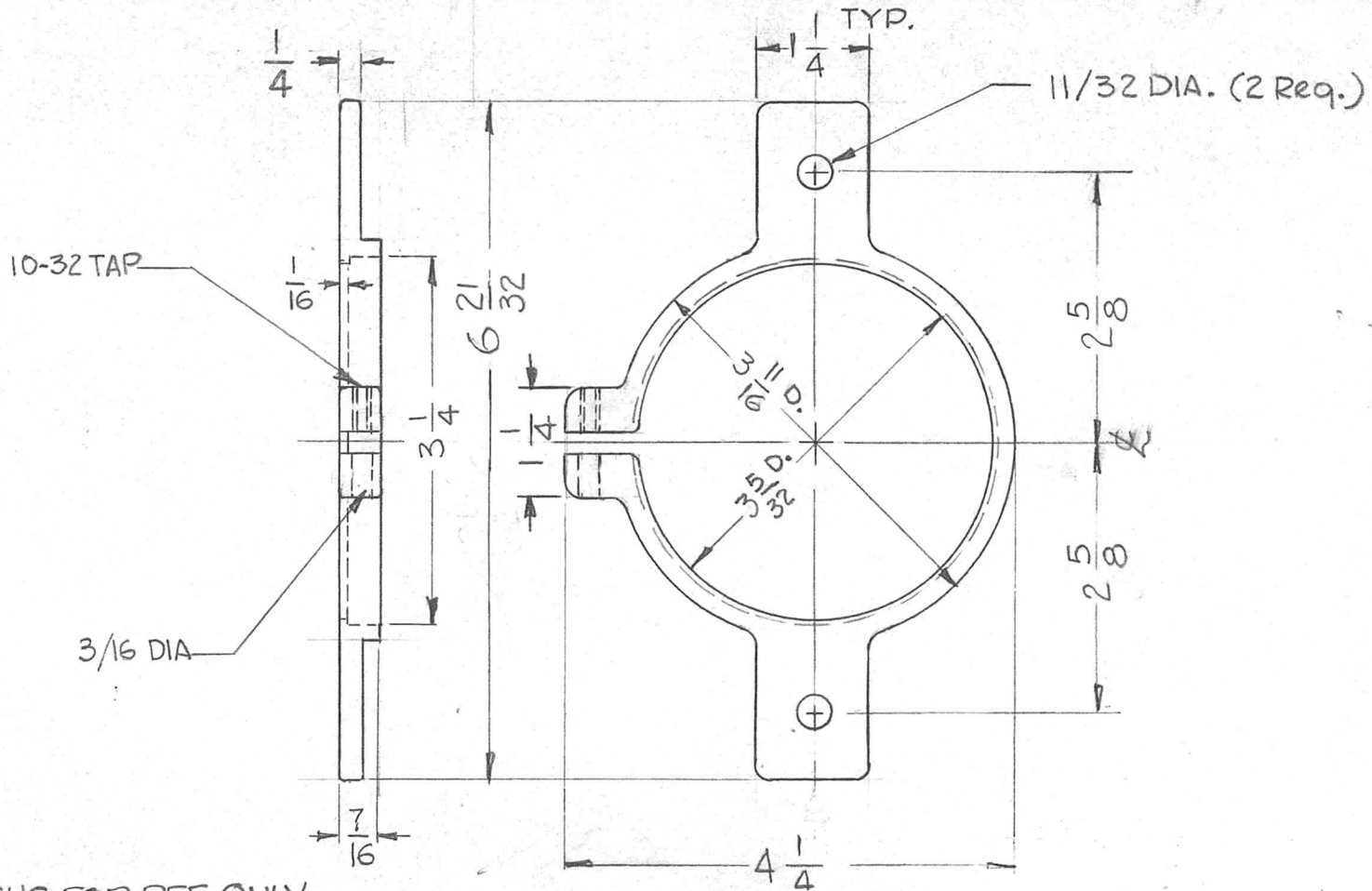
AX-393

DATE

4-10-62

PO-268

○



NOTE
ALL DIMENSIONS FOR REF. ONLY.

							REQ. ITEM	PART NO.	DESCRIPTION	SYMBOL	
									THE TECHNICAL MATERIEL CORP. MAMARONECK, NEW YORK		
							STOCK SIZE		CONNECTOR, FILAMENT RING		
							MATERIAL				
							G.D.L		aa		
							TYPE & TEMPER		DRAWN		
							HEAT TREAT. SPEC.		CHECKED		
							FINISH & SPEC. NO.		ELEC. DES. APP.		
									MECH. DES. APP.		
									PO-268		
									○		
UNLESS OTHERWISE SPECIFIED DIMENSIONS ARE IN INCHES AND INCLUDE CHEMICALLY APPLIED OR PLATED FINISHES			SCALE DO NOT SCALE								
DECIMALS .X ± .05 .XX ± .01 .XXX ± .005			FRACTIONS ± 1/64 ANGLES ± 0° 30'			CODE C		S401-84			
TOLERANCES											