

THE CONTENTS OF THIS DRAWING ARE THE EXCLUSIVE PROPERTY OF THE TECHNICAL MATERIEL CORP. ITS UNAUTHORIZED USE OR REPRODUCTION IN WHOLE OR IN PART IS STRICTLY FORBIDDEN.

REQ. PER UNIT

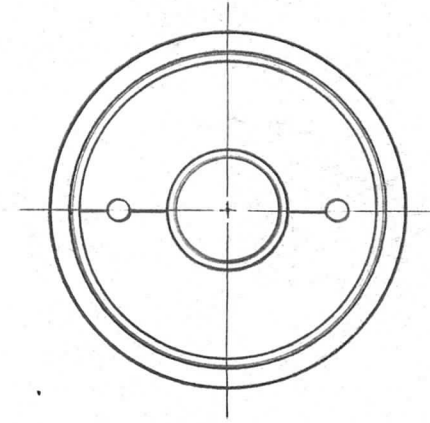
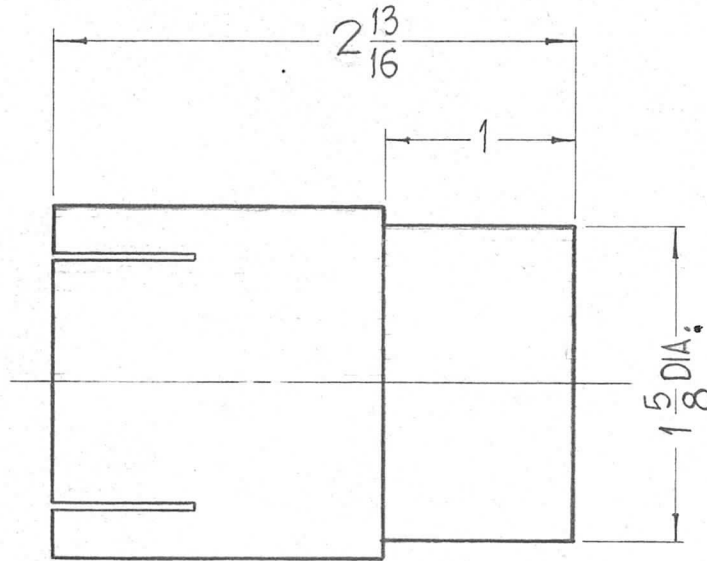
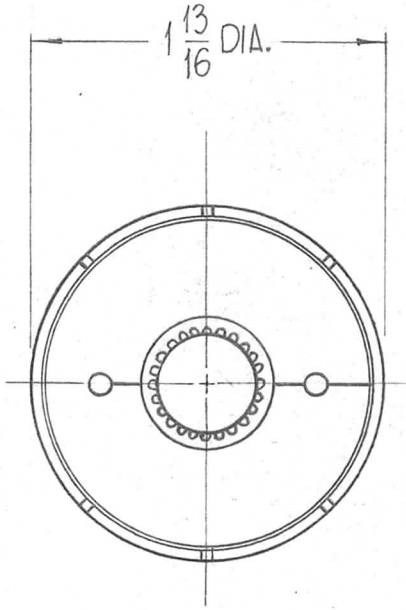
MODEL

USED ON

ASS'Y. NO.

DATE

PO-257



REF JENNINGS ROE

REQ.	ITEM	PART NO.	DESCRIPTION				SYMBOL
			THE TECHNICAL MATERIEL CORP. MAMARONECK, NEW YORK				
			SLEEVE ADAPTOR, 1-5/8"				
			MATERIAL				
			TYPE & TEMPER HEATTREAT. SPEC.				
			FINISH & SPEC. NO.				
			John C. Biele	aa	RAC		
			205	6/10/64	PO-257		○
			ELEC. DES. APP.	MECH. DES. APP.			

SYM	DESCRIPTION	DATE	CH. NO.	DRAFTS	CHECKER	ENG. APP.
○	ORIGINAL RELEASE FOR PRODUCTION	5-27-64	○	A.M.		

UNLESS OTHERWISE SPECIFIED: DIMENSIONS ARE IN INCHES TOLERANCES ON FRAC. ± 1/64 DEC. ± .005 ANGLES ± 1/2°	SCALE: 5401-48 (RC) MAXIMUM ALLOWABLE TOLERANCES HAVE BEEN DETERMINED AND ANY DEVIATIONS WILL BE CAUSE FOR REJECTION. REMOVE ALL BURRS AND SHARP EDGES
--	--