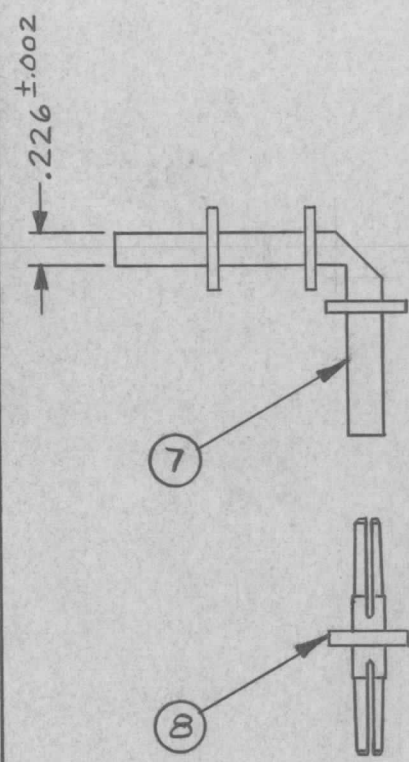
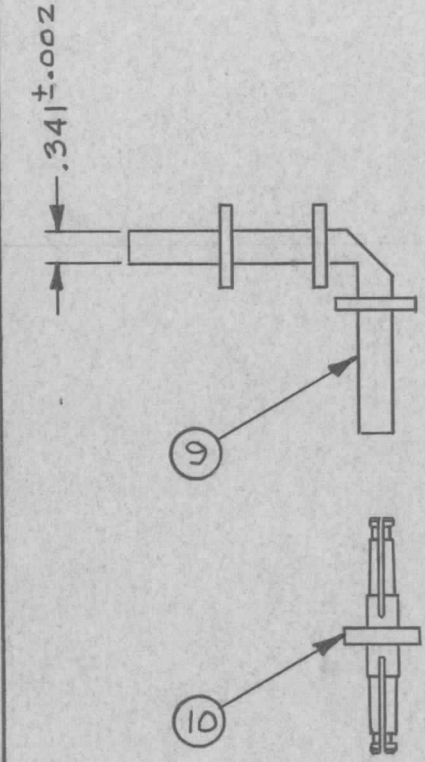


2 1/4" DIA. SWIVEL FLANGE

SEE NOTE 1 AND 2



SEE NOTE 1



SEE NOTE 2

PO-253

REVISIONS

SYM	DESCRIPTION	DATE	E.M.N. NO.	DRAFT	CHKD	APPD

REQ'D.	ITEM	PART NUMBER	DESCRIPTION	SYMBOL
1	10		INNER CONNECTOR, 50 Ω	
1	9		INNER CONDUCTOR, RIGHT ANGLE 50Ω	
1	8		INNER CONNECTOR, 70 Ω	
1	7		INNER CONDUCTOR, RIGHT ANGLE 70Ω	
6	6		NUTS, HEX	
6	5		LOCKWASHERS	
6	4		BOLTS, HEX HD 1/4"-20 x 1 1/4"	
2	3		DUST COVER, PRESSBOARD	
2	2		"O" RINGS	
1	1		RIGHT ANGLE BODY W/SWIVEL FLANGES	

ABOVE ITEMS SUPPLIED BY MANUFACTURER

NOTES:

- 1 - ITEM 1 THRU ITEM 8 SUPPLIED FOR PO-253-50 FOR PO-253-70.
- 2 - ITEM 1 THRU ITEM 6 AND ITEMS 9 & 10 SUPPLIED FOR PO-253-50

REQ'D.	ITEM	PART NUMBER	DESCRIPTION	SYMBOL
MARTINENGO LIST OF MATERIAL				
MATERIAL			THE TECHNICAL MATERIEL CORP. MAMARONECK, NEW YORK	
FINISH			TITLE RIGHT ANGLE 50 OR 70 OHMS 7/8 EIA FLANGE	
UNLESS OTHERWISE SPECIFIED DIMENSIONS ARE IN INCHES AND INCLUDE CHEMICALLY APPLIED OR PLATED FINISHES			DRAWN M TANTILLO	DATE 2-13-63
DECIMALS .X ± .05 .XX ± .01 .XXX ± .005			CHECKED	DATE
FRACTIONS ± 1/64 ANGLES ± 0° 30'			ELECT. DES.	DATE
TOLERANCES			MECH. DES.	DATE
THE CONTENTS OF THIS DRAWING ARE THE EXCLUSIVE PROPERTY OF THE TECHNICAL MATERIEL CORP. ITS UNAUTHORIZED USE OR REPRODUCTION IN WHOLE OR IN PART IS STRICTLY FORBIDDEN.			FINAL APPROVAL <i>[Signature]</i>	DATE 2/14/63
NOTES			PO-253	SHEET
			REV. LTR.	

Q'TY./UNIT	MODEL USED ON	ASS'Y. NO.
	Po-253-50	
	Po-253-70	
SCALE	CODE	S401-31-1070-70 Ω S401-31-1060-50 Ω