

THE CONTENTS OF THIS DRAWING ARE THE EXCLUSIVE PROPERTY OF THE TECHNICAL MATERIEL CORP. ITS UNAUTHORIZED USE OR REPRODUCTION IN WHOLE OR IN PART IS STRICTLY FORBIDDEN.

REQ. PER UNIT

1

HNF-1

USED ON

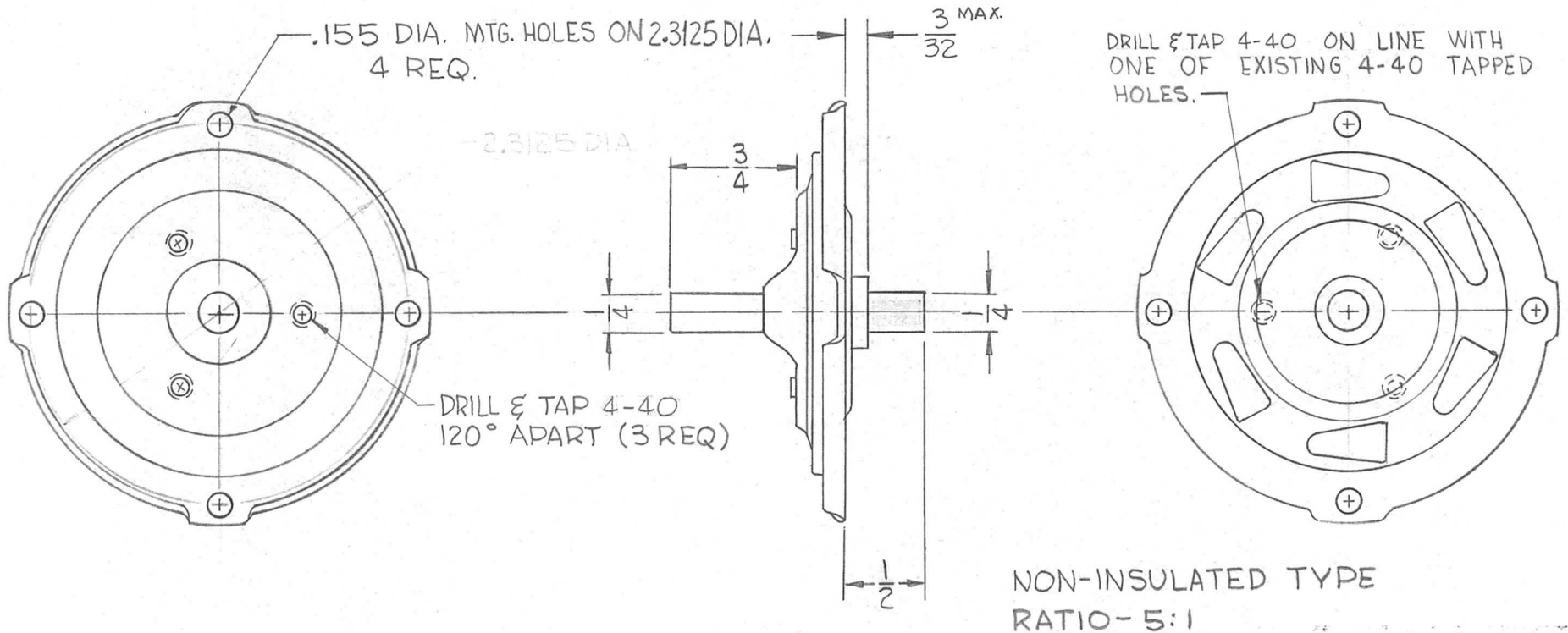
MODEL

ASS'Y. NO.

DATE

3-19-62

PO-229



REF-NATIONAL CO. TYPE AVD(MOD.)

REQ.	ITEM	PART NO.	DESCRIPTION				SYMBOL	
			THE TECHNICAL MATERIEL CORP. MAMARONECK, NEW YORK					
			STOCK SIZE					
			DRIVE, VERNIER, 5:1 RATIO					
			MATERIAL					
SYM	DESCRIPTION	DATE	CH. NO.	DRAFTS	CHECKER	ENG. APP.		
UNLESS OTHERWISE SPECIFIED: DIMENSIONS ARE IN INCHES TOLERANCES ON FRAC. ± 1/64 DEC. ± .005 ANGLES ± 1/2°		SCALE: MAXIMUM ALLOWABLE TOLERANCES HAVE BEEN DETERMINED AND ANY DEVIATIONS WILL BE CAUSE FOR REJECTION. REMOVE ALL BURRS AND SHARP EDGES						
		TYPE & TEMPER		HEAT TREAT. SPEC.		DRAWN	CHECKED	FINAL APPROVAL
		FINISH & SPEC. NO.		ELEC. DES. APP.		MECH. DES. APP.		PO-229