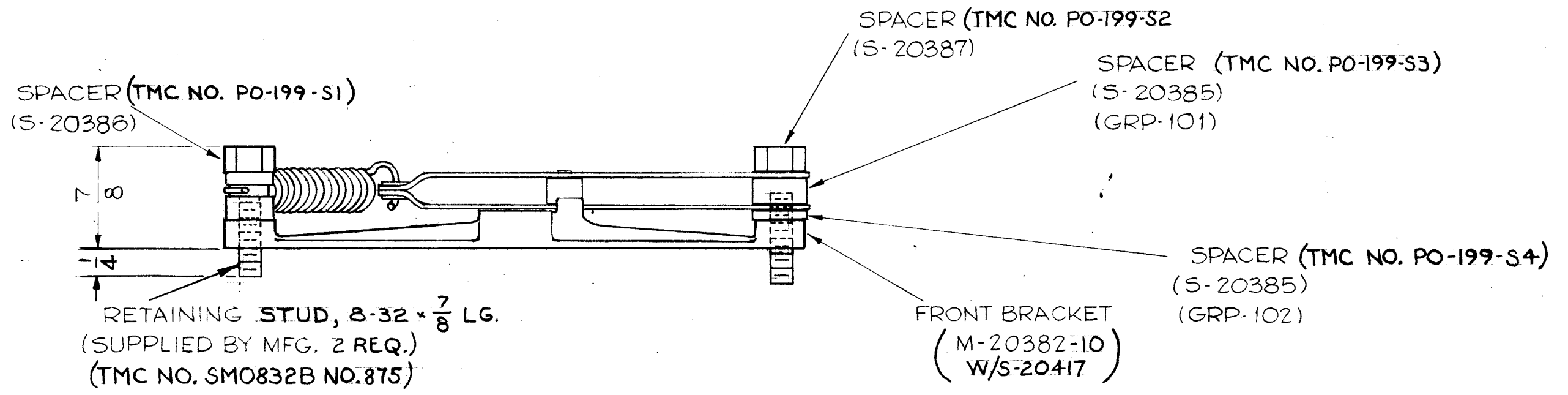
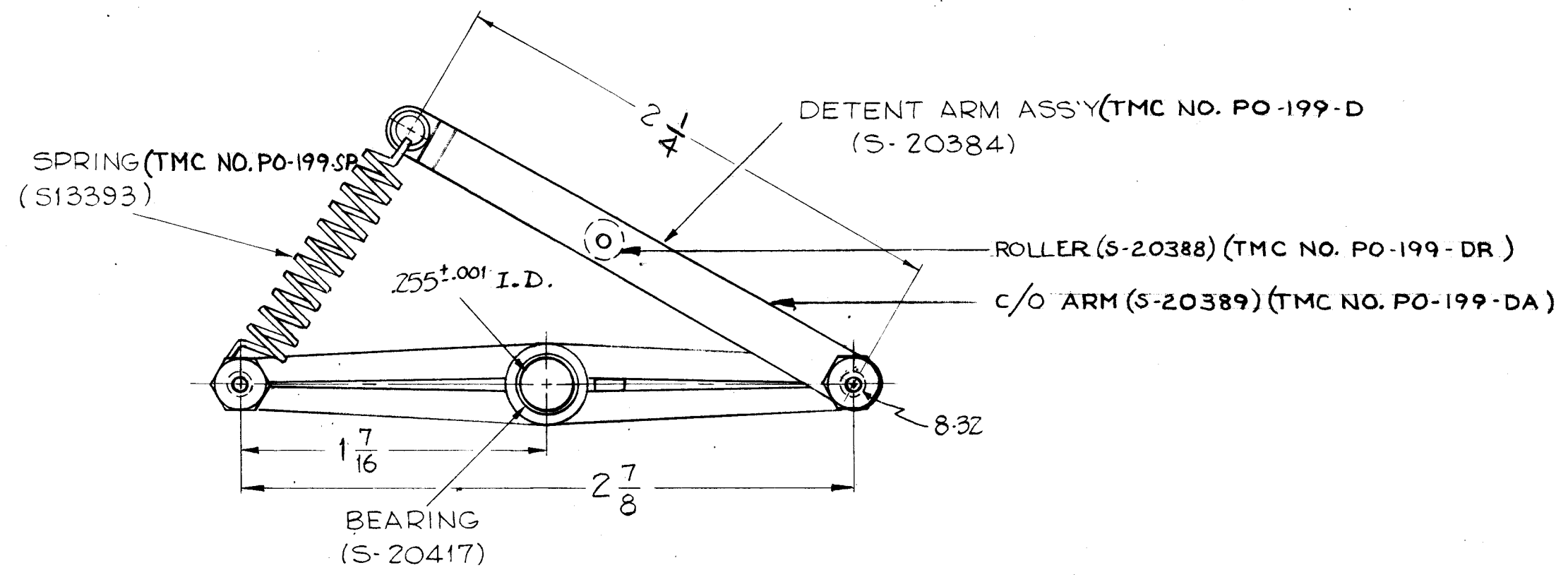


PO-199 B



REF ~ Radio Switch Corp. Model 86 Assembly.

ISSUE	ITEM	CHANGED FROM	DATE	CH. NO.	DRAFTS	CHECKER	ENG. APP.
B	3	RETAINING STUD WAS SCREW					
	2	FRONT BRACKET WAS 20382-10	30-61	6236	G.S.		
	1	TMC PARTS ADDED					
A	1	REDIMENSIONED TO AGREE WITH MODEL 86 OF RADIO SWITCH CORP. DRAWING 2.	9/27/60	3090	DM	J.C.B.	APP

REQ. PER UNIT	MODEL	PROJECT NO.	ASS'Y. NO.	DATE

REQ. ITEM	PART NO.	DESCRIPTION	SYMBOL
		THE TECHNICAL MATERIEL CORP. MAMARONECK, NEW YORK	
		STOCK SIZE	
		DETENT ARM & BRACKET ASS'Y	
		MATERIAL	
		J.C. Biele	
		DRAWN	
		CHECKED	
		FINAL APPROVAL	
		ELEC. DES. APP.	
		MECH. DES. APP.	

PO-199 B