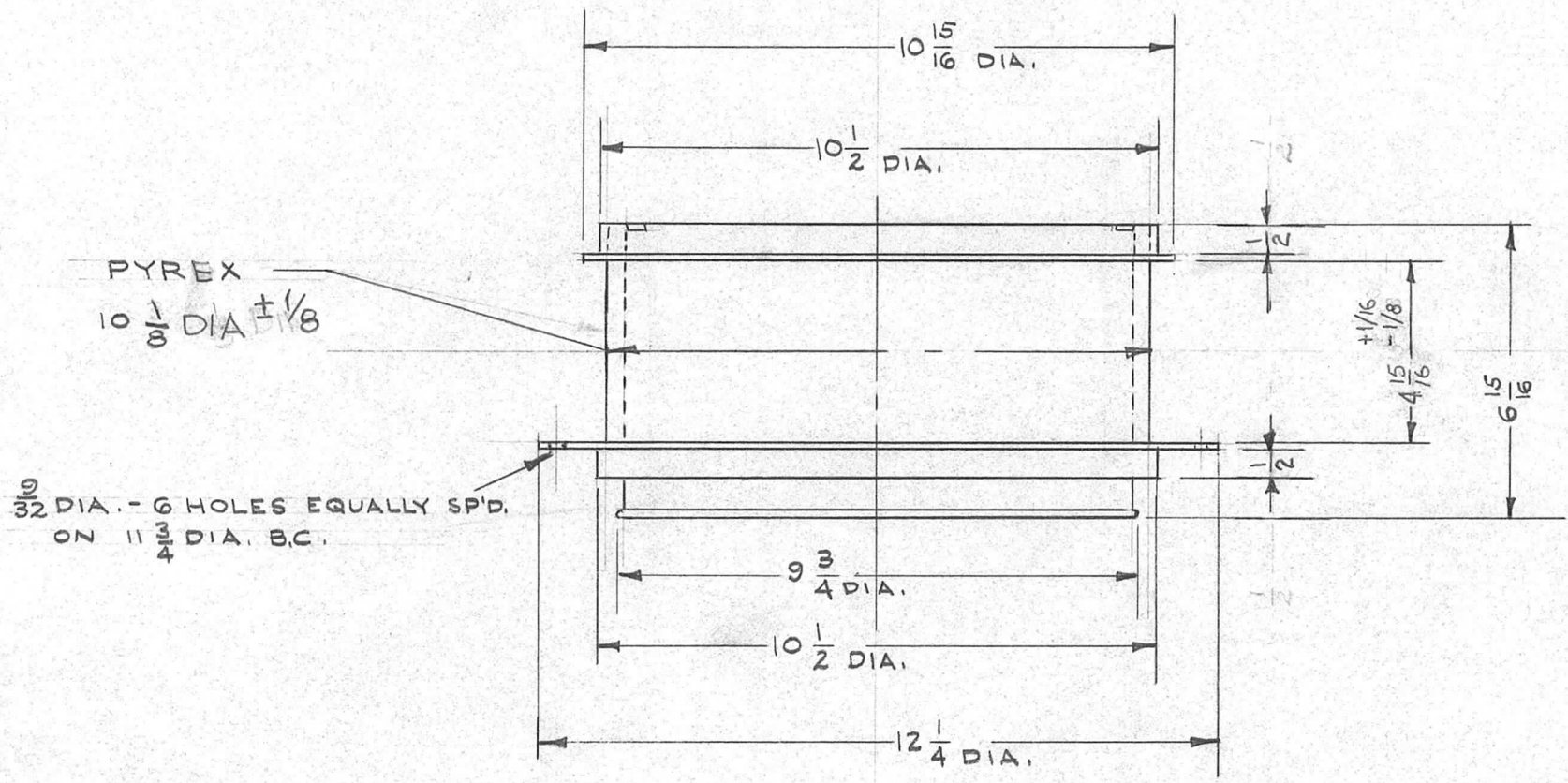


REQ. PER. UNIT	USED ON			PO-192	B
	MODEL	ASS'Y. NO.	DATE		
1	GPT-40K		12-10-59		



REF: FOR USE W/ MACHLETT TUBE TYPE #6697

							REQ. ITEM	PART NO.	DESCRIPTION	SYMBOL	
									THE TECHNICAL MATERIEL CORP. MAMARONECK, NEW YORK		
							STOCK SIZE		SUPPORT, TUBE		
							MATERIAL				
B		PYREX WAS 10 3/8 DIA	8/3/65	4503	E	JCA					
A	1	ADDED TOL. TO 4 15/16 DIM.	8/20/62	6863	SRG	File LG					
ISSUE	ITEM	CHANGED FROM	DATE	CH. NO.	DRAFTS	CHECKER	ENG. APP.				
TOLERANCES			SCALE: S401-84(F-17795)								
DEC. DIM. ± FRAC. DIM. ± ANGULAR DIM. ±			MAXIMUM ALLOWABLE TOLERANCES HAVE BEEN DETERMINED AND ANY DEVIATIONS WILL BE CAUSE FOR REJECTION. REMOVE ALL BURRS AND SHARP EDGES								
							TYPE & TEMPER	HEATTREAT. SPEC.	DRAWN	CHECKED	FINAL APPROVAL
							FINISH & SPEC. NO.		ELEC. DES. APP	MECH. DES. APP	
									Elm	JCA	PO-192
											B