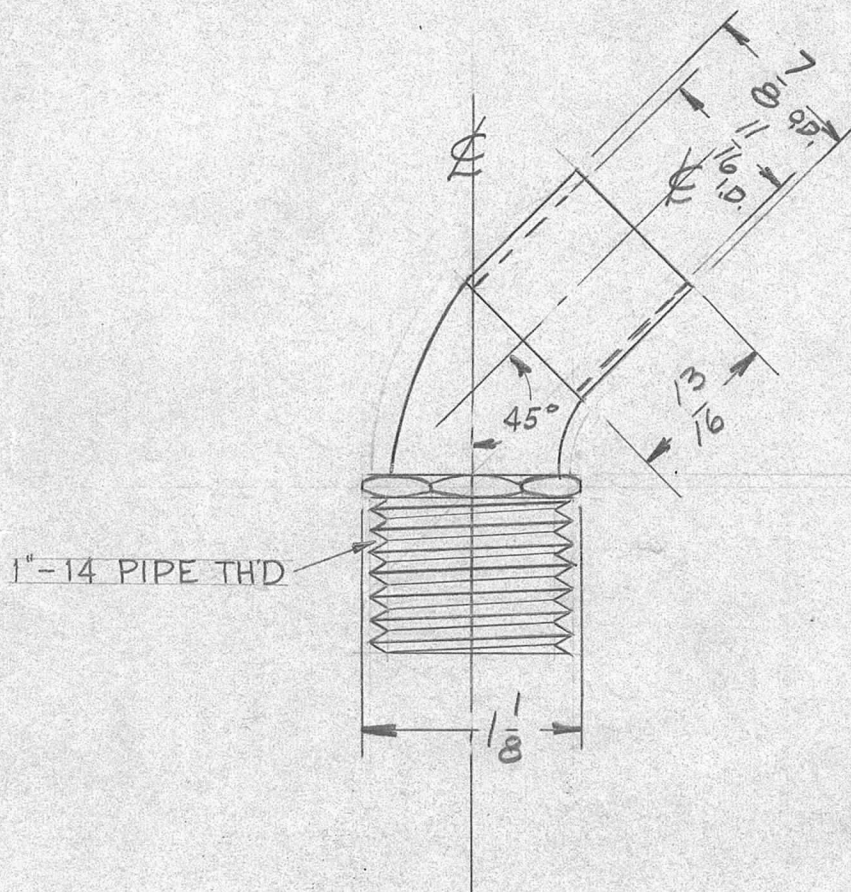
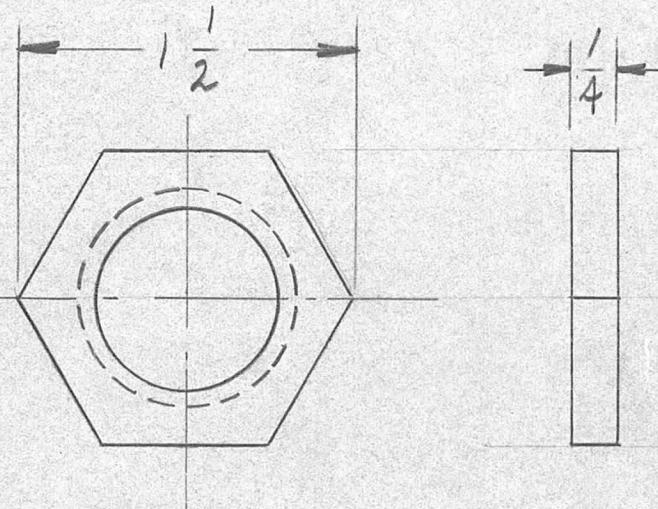


REQ. PER UNIT	USED ON			PO167	A
	MODEL	ASS'Y. NO.	DATE		
1	GPT10000		1-29-59		



HEX NUT



2 REQ'D.

REQ.	ITEM	PART NO.	DESCRIPTION			SYMBOL
			THE TECHNICAL MATERIEL CORP. MAMARONECK, NEW YORK			
			STOCK SIZE			
			BRONZE			
			MATERIAL			
			ELBOW, 45°, ADAPTOR, W/ NUT			
A	1	Finish Added	6-20-61	5092	MWF	JCH
ISSUE	ITEM	CHANGED FROM	DATE	CH. NO.	DRAFTS	CHECKER
TOLERANCES			SCALE: FULL			
DEC. DIM. ± FRAC. DIM. ± ANGULAR DIM. ±			MAXIMUM ALLOWABLE TOLERANCES HAVE BEEN DETERMINED AND ANY DEVIATIONS WILL BE CAUSE FOR REJECTION: REMOVE ALL BURRS AND SHARP EDGES			
TYPE & TEMPER		HEAT TREAT. SPEC.		DRAWN		CHECKED
NICKEL PLATE				F.G.		JCH
FINISH & SPEC. NO.		ELEC. DES. APP		MECH. DES. APP		FINAL APPROVAL
						PO167
						A