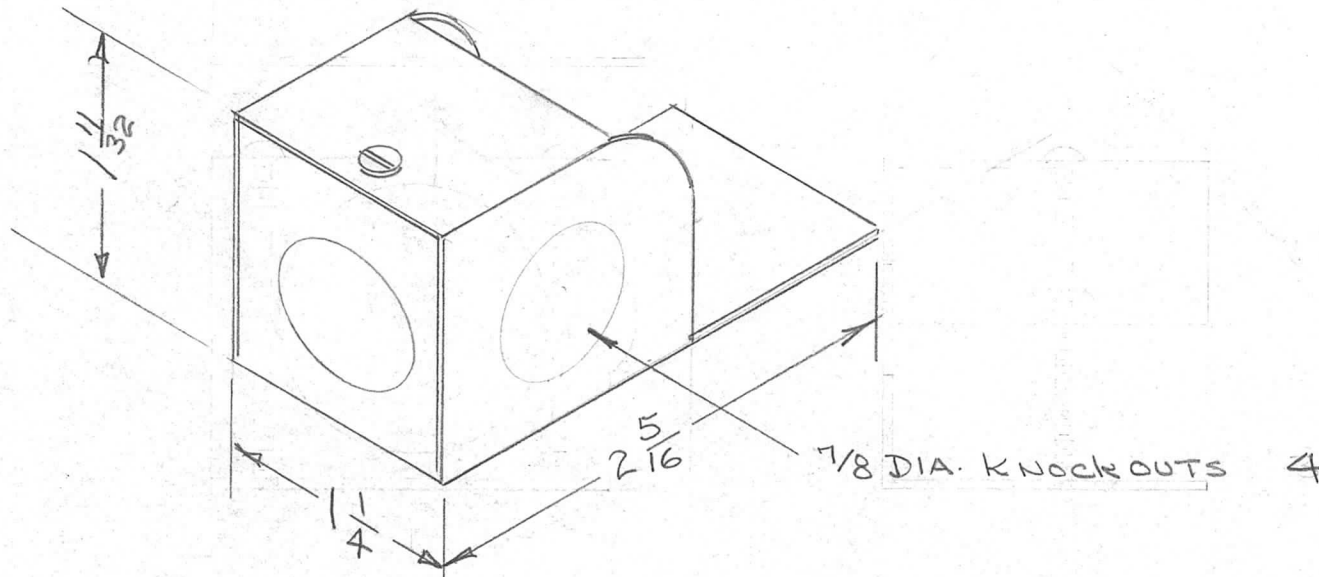


REQ. PER. UNIT	USED ON			PO-162	A
	MODEL	ASS'Y. NO.	DATE		

FOR USE WITH CONNECTOR STRIP
TMC # PO-160



REF. WIREMOLD #G2110 A

								REQ.	ITEM	PART NO.	DESCRIPTION	SYMBOL	
										THE TECHNICAL MATERIEL CORP. MAMARONECK, NEW YORK			
										END FITTING, CABLE ENTRY, CONNECTOR STRIP			
A	1	(G) ADDED ON REF, FINISH ADDED	2-27-62	6452	GG	GG	GG						
ISSUE	ITEM	CHANGED FROM	DATE	CH. NO.	DRAFTS	CHECKER	ENG. APP.	MATERIAL		DRAWN CHECKED FINAL APPROVAL			
TOLERANCES			SCALE:					TYPE & TEMPER HEAT TREAT. SPEC.		DRAWN CHECKED		FINAL APPROVAL	
DEC. DIM. ± FRAC. DIM. ± ANGULAR DIM. ±			MAXIMUM ALLOWABLE TOLERANCES HAVE BEEN DETERMINED AND ANY DEVIATIONS WILL BE CAUSE FOR REJECTION. REMOVE ALL BURRS AND SHARP EDGES					GREY		GG		ARB	
								FINISH & SPEC. NO.		ELEC. DES. APP MECH. DES. APP		PO-162 A	