

T.M.C. NO.	CAT. NO.		CAN SIZE		TERM. SPACING
	WITH TURRET	WITHOUT TURRET	A	B	C
PO-106-1	B8-TKI	B8	1.415	2.0	0.87
PO-106-2	B10-TKI	B10	1.415	2.5	1.37
PO-106-3	B12-TKI	B12	1.415	3.0	1.87
PO-106-4	C8-TKI	C8	2.0	2.0	0.87
PO-106-5	C10-TKI	C10	2.0	2.5	1.37
PO-106-6	C12-TKI	C12	2.0	3.0	1.87

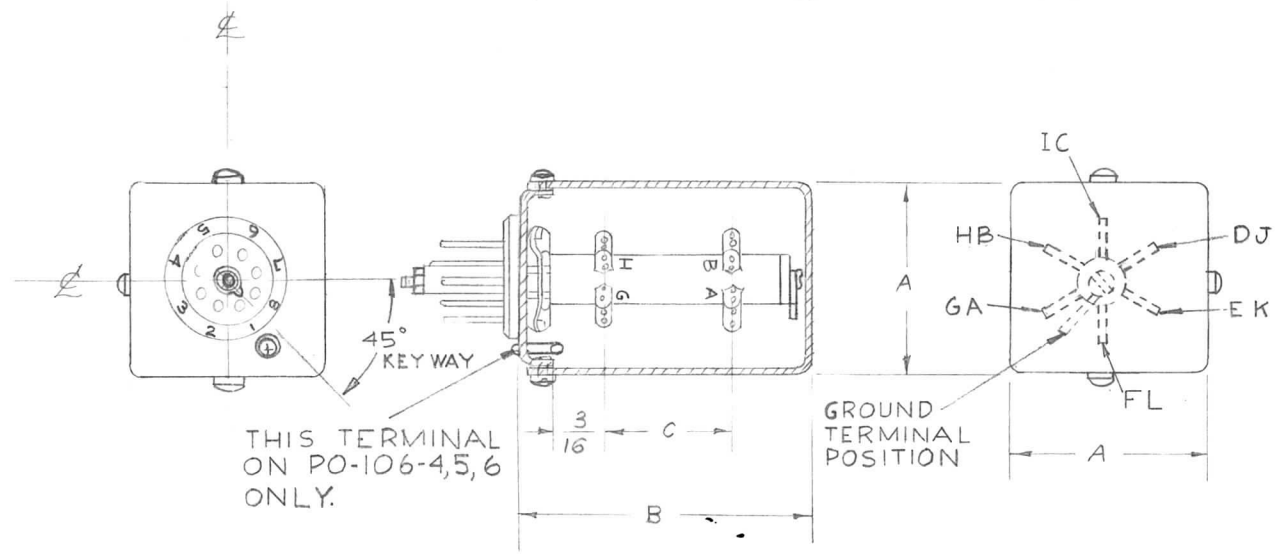
REQ. PER UNIT	USED ON		
	MODEL	ASS'Y. NO.	DATE

PO-106 C

MECH. SPECS

STANDARD DRAWING

CAN-ALUMINUM, CAUSTIC ETCH
 AND SHORT ALUMINITE
 TURRET TERMINALS—HALF HARD BRASS,
 FUSED TIN PLATED
 TURRET POST-XXP PHENOLIC
 PLUG PINS—BRASS, NICKEL PLATED
 PLUG-MICA FILLED PHENOLIC



THIS TERMINAL ON PO-106-4,5,6 ONLY.

PO-106-1-T
 DWG. NO.

T= WITH TURRET
 NT= NO TURRET

DIM. FOR REF. ONLY.

REF: VECTOR ELECTRONIC CO.

REQ.	ITEM	PART NO.	DESCRIPTION	SYMBOL															
			THE TECHNICAL MATERIEL CORP. MAMARONECK. NEW YORK																
C	2		STOCK SIZE																
	1		PLUG IN SOCKET, TURRET																
B	1		MATERIAL																
ISSUE		ITEM	CHANGED FROM	DATE	CH. NO.	DRAFTS	CHECKER	ENG. APP.											
TOLERANCES		SCALE:		16 9-16-55		eod		102		DRAWN		CHECKED		FINAL APPROVAL					
DEC. DIM. ±		MAXIMUM ALLOWABLE TOLERANCES HAVE BEEN DETERMINED AND ANY DEVIATIONS WILL BE CAUSE FOR REJECTION.		TYPE & TEMPER		HEAT TREAT. SPEC.		FINISH & SPEC. NO.		ELEC. DES. APP.		MECH. DES. APP.		PO-106		C			
FRAC. DIM. ±		REMOVE ALL BURRS AND SHARP EDGES																	
ANGULAR DIM. ±																			