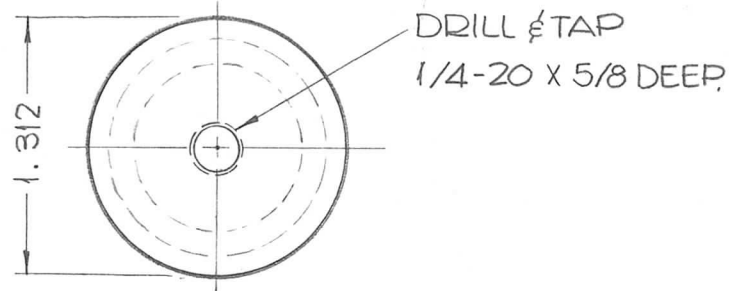
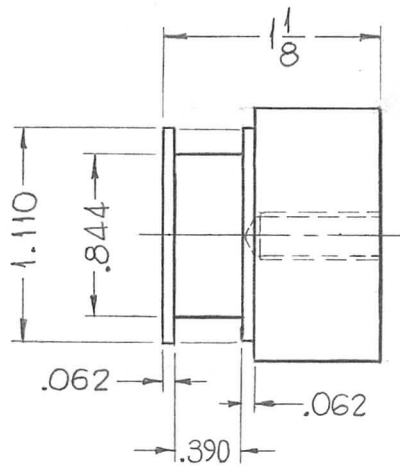


REQ. PER UNIT	USED ON			PM-994	Ø
	MODEL	ASS'Y. NO.	DATE		
1	GPT-200K AX-392	A-2751	9-19-63		



REQ.	ITEM	PART NO.	F. BUDETTI DESCRIPTION				SYMBOL	
			THE TECHNICAL MATERIEL CORP. MAMARONECK. NEW YORK					
		STOCK SIZE	CONTACT, ELECTRICAL					
0	ORIGINAL RELEASE FOR PRODUCTION	5/28/64	0	A.M.	BRASS		1-5/8 TERMINATION	
SYM	DESCRIPTION	DATE	CH. NO.	DRAFTS	CHECKER	ENG. APP.		
UNLESS OTHERWISE SPECIFIED DIMENSIONS ARE IN INCHES AND INCLUDE CHEMICALLY APPLIED OR PLATED FINISHES		SCALE		1" = 1"				
DECIMALS	FRACTIONS	CODE	TYPE & TEMPER		HEAT TREAT. SPEC.	DRAWN	CHECKED	FINAL APPROVAL
.X ± .05 .XX ± .01 .XXX ± .005	TOLERANCES ± 1/64 ANGLES ± 0° 30'		S-245 SILVER PLATE			SRG	MC	RAC
			FINISH & SPEC. NO.		ELEC. DES. APP.	MECH. DES. APP.	PM-994	Ø