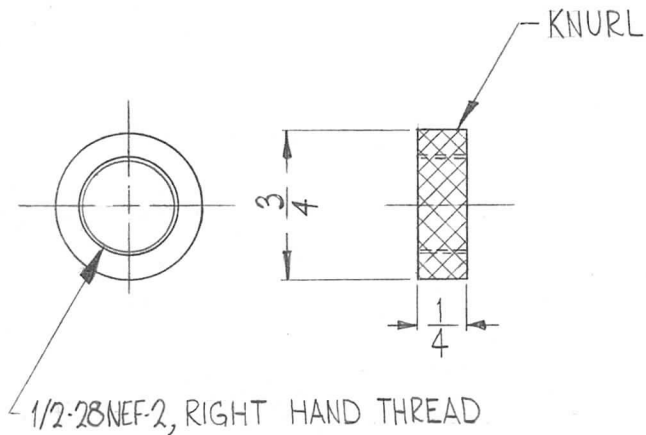


REQ. PER UNIT	USED ON		
	MODEL	ASS'Y. NO.	DATE
4	GPT-200K (AX-395)	A-2821	9-11-63
3	GPT-200K (AX-395)	A-2822	9-11-63
3	GPT-200K (AX-395)	A-2823	9-11-63

PM-985 Ø



REF: PM-984

REQ.	ITEM	PART NO.	F. BUDETTI	DESCRIPTION	SYMBOL						
		1/4 THK.	THE TECHNICAL MATERIEL CORP.								
		STOCK SIZE	MAMARONECK, NEW YORK								
		STAINLESS STEEL	COLLAR, THREADED								
○	ORIGINAL RELEASE FOR PRODUCTION.	3/23/64									
SYM	DESCRIPTION	DATE	CH. NO.	DRAFTS	CHECKER	ENG. APP.	MATERIAL				
	UNLESS OTHERWISE SPECIFIED DIMENSIONS ARE IN INCHES AND INCLUDE CHEMICALLY APPLIED OR PLATED FINISHES	SCALE	1=1				(NON MAGNETIC)	W.A. FRANCO	QAQB	RJC 3/23/64	
	DECIMALS .X ± .05 .XX ± .01 .XXX ± .005	FRACTIONS ± 1/64 ANGLES ± 0° 30'	CODE	A			TYPE & TEMPER	HEAT TREAT. SPEC.	DRAWN	CHECKED	FINAL APPROVAL
	TOLERANCES						S104 PASSIVATE	QB RB	BC	PM-985	Ø
							FINISH & SPEC. NO.	ELEC. DES. APP.	MECH. DES. APP.		