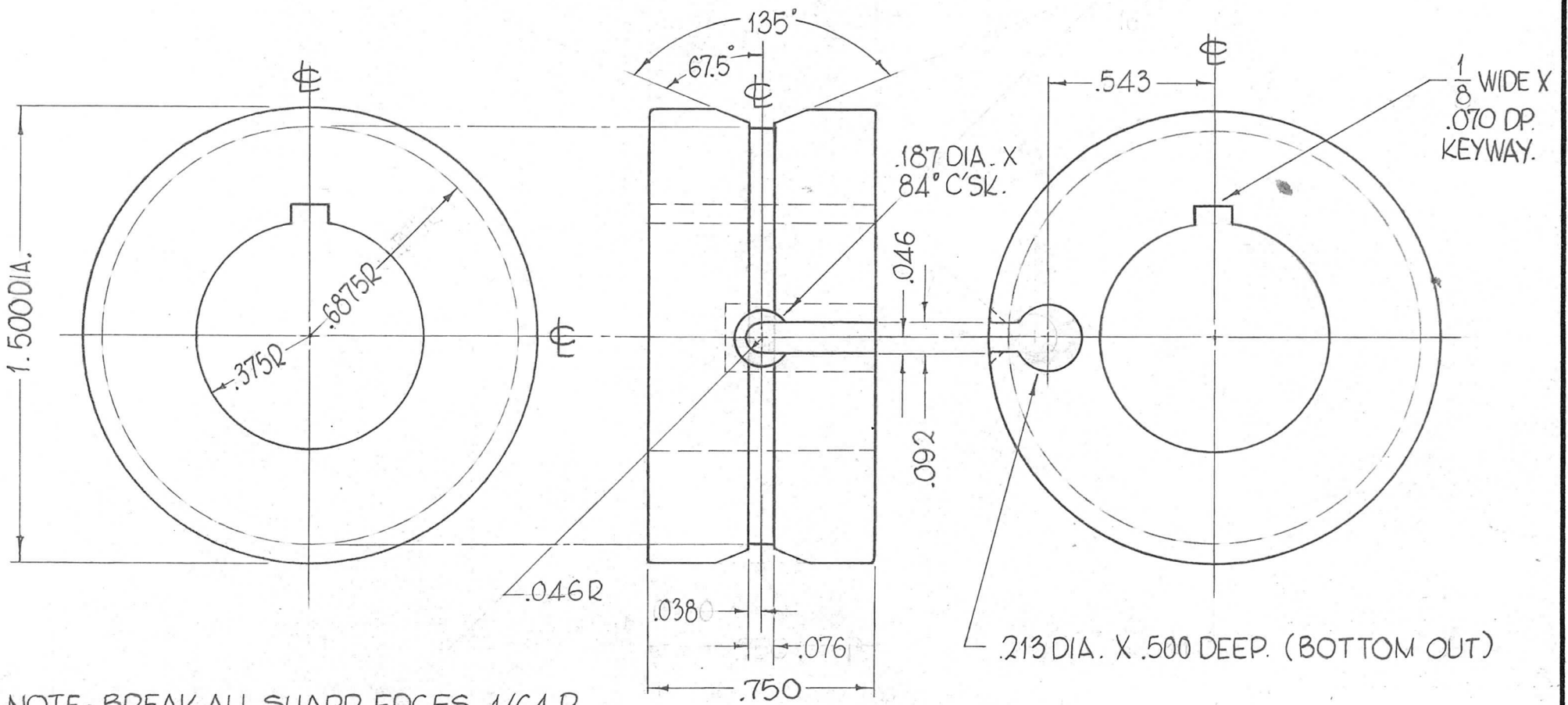


THE CONTENTS OF THIS DRAWING ARE THE EXCLUSIVE PROPERTY OF THE TECHNICAL MATERIEL CORP. ITS UNAUTHORIZED USE FOR REPRODUCTION IN WHOLE OR IN PART IS STRICTLY FORBIDDEN.

REQ. PER UNIT	USED ON		
	MODEL	ASS'Y. NO.	DATE
4	GPT-200K (AX-395)	A-3235	7-8-63
6	GPT-200K (AX-395)	A-3238	7-8-63
8	GPT-200K	A-3138	7-8-63

PM-956 \emptyset



NOTE - BREAK ALL SHARP EDGES 1/64 R.

REQ.	ITEM	PART NO.	F. BUDETTI DESCRIPTION			SYMBOL
		AS NOTED	THE TECHNICAL MATERIEL CORP.			
		STOCK SIZE	MAMARONECK, NEW YORK			
		STAINLESS STEEL	PULLEY, CAPACITOR DRIVE			
		MATERIAL				
		303	John C Biele	aa	KJC	3-30-64
		TYPE & TEMPER	DRAWN	CHECKED	FINAL APPROVAL	
		5-104-PASSIVATE	JB	aa	PM-956 \emptyset	
		FINISH & SPEC. NO.	ELEC. DES. APP.	MECH. DES. APP.		

UNLESS OTHERWISE SPECIFIED DIMENSIONS ARE IN INCHES AND INCLUDE CHEMICALLY APPLIED OR PLATED FINISHES

DECIMALS
 .X ± .05
 .XX ± .01
 .XXX ± .005

FRACTIONS
 ± 1/64
 ANGLES
 ± 0° 30'

TOLERANCES

SCALE 2" = 1"

CODE A