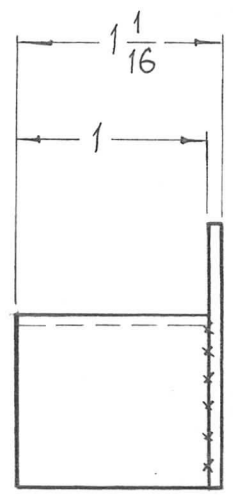
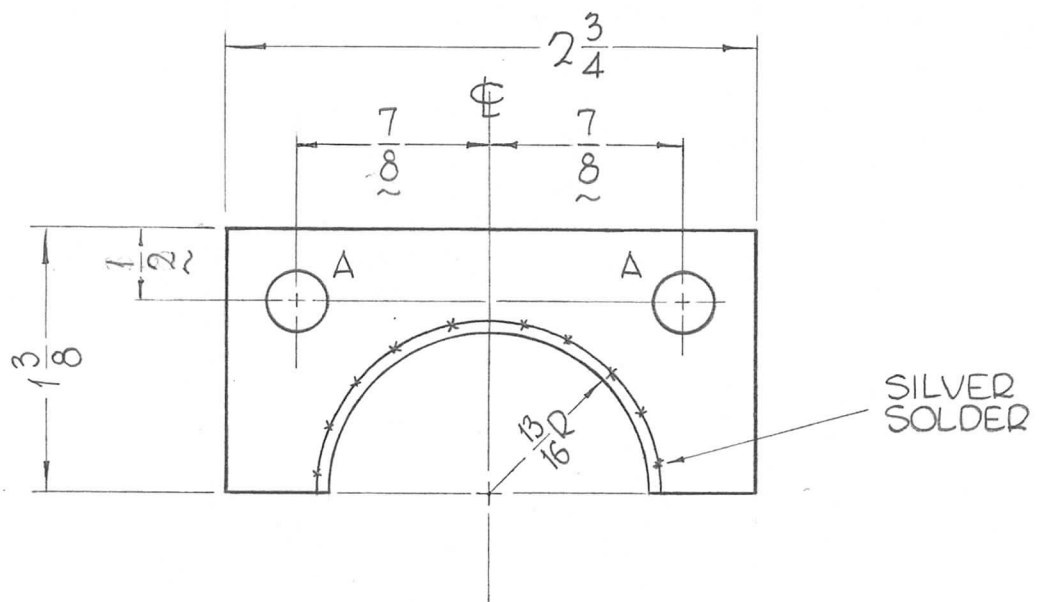


THE CONTENTS OF THIS DRAWING ARE THE EXCLUSIVE PROPERTY OF THE TECHNICAL MATERIEL CORP. ITS UNAUTHORIZED USE FOR REPRODUCTION IN WHOLE OR IN PART IS STRICTLY FORBIDDEN.

REQ. PER UNIT	USED ON		
	MODEL	ASS'Y. NO.	DATE
4	GPT-200K	AX-393	5-21-63
1	GPT-200K	AX-395	5-21-63

PM-904 ~~Ø~~



HOLES REQ.
A - 5/16 DIA. 2

REQ.	ITEM	PART NO.	F. BUDETTI DESCRIPTION			SYMBOL					
		1/16 THICK STOCK SIZE	THE TECHNICAL MATERIEL CORP. MAMARONECK, NEW YORK								
		COPPER	SUPPORT, RIGID-LINE								
		MATERIAL									
0	ORIGINAL RELEASE	5.16.64	JTB								
SYM	DESCRIPTION	DATE	CH. NO.	DRAFTS	CHECKER	ENG. APP.					
UNLESS OTHERWISE SPECIFIED DIMENSIONS ARE IN INCHES AND INCLUDE CHEMICALLY APPLIED OR PLATED FINISHES		SCALE									
DECIMALS .X ± .05 .XX ± .01 .XXX ± .005	FRACTIONS ± 1/64 ANGLES ± 0° 30'	CODE									
TOLERANCES											
NONE		TYPE & TEMPER		HEAT TREAT. SPEC.		DRAWN		CHECKED		FINAL APPROVAL	
FINISH & SPEC. NO.		ELEC. DES. APP.		MECH. DES. APP.		PM-904		Ø			