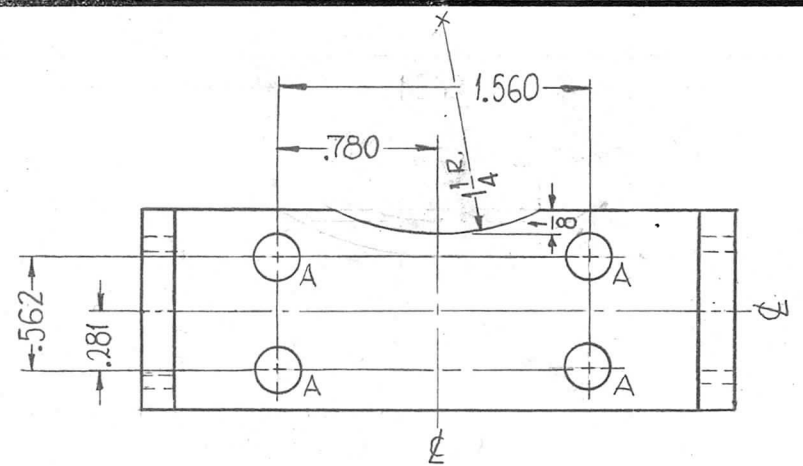
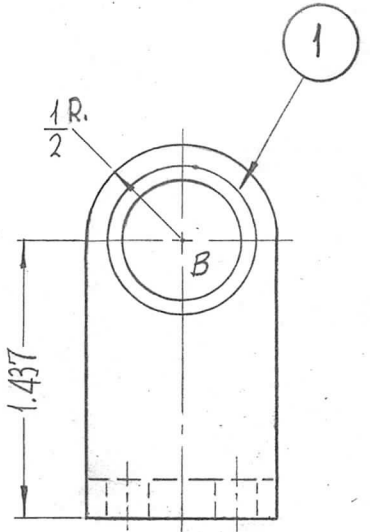
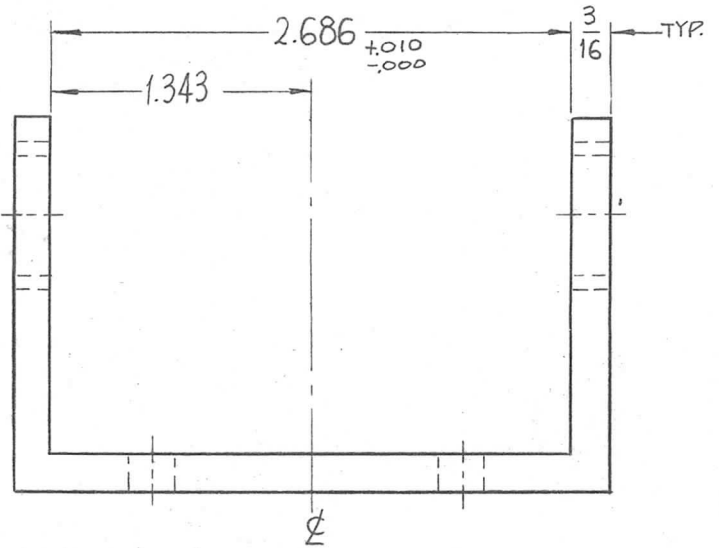


REQ. PER UNIT	USED ON			PM-900	Ø
	MODEL	ASS'Y. NO.	DATE		
1	GPT-200K	A-2706	3-30-64		



HOLES:
 A- 7/32 DIA. (4 REQ.)
 B- .876 ± .005 DIA. (2 REQ.)



0	ORIG. RELEASE FOR PROD.	5-27-64					1	1	BB-123-28	BEARING, CYLINDRICAL		
X2	BRACKET RE-DESIGNED	3-30-64								F. BUDETTI DESCRIPTION	SYMBOL	
UNLESS OTHERWISE SPECIFIED DIMENSIONS ARE IN INCHES AND INCLUDE CHEMICALLY APPLIED OR PLATED FINISHES							SCALE		1" = 1"			
AS NOTED STOCK SIZE							THE TECHNICAL MATERIEL CORP. MAMARONECK, NEW YORK					
HOT ROLLED STEEL							BRACKET, SHAFT SUPPORT					
MATERIAL												
1020							DRAWN		CHECKED		FINAL APPROVAL	
CADMIUM PLATE							SRG		RJC		PM-900	
FINISH & SPEC. NO.							ELEC. DES. APP.		MECH. DES. APP.			

DECIMALS
 .X ± .05
 .XX ± .01
 .XXX ± .005

FRACTIONS
 ± 1/64
 ANGLES
 ± 0° 30'

TOLERANCES