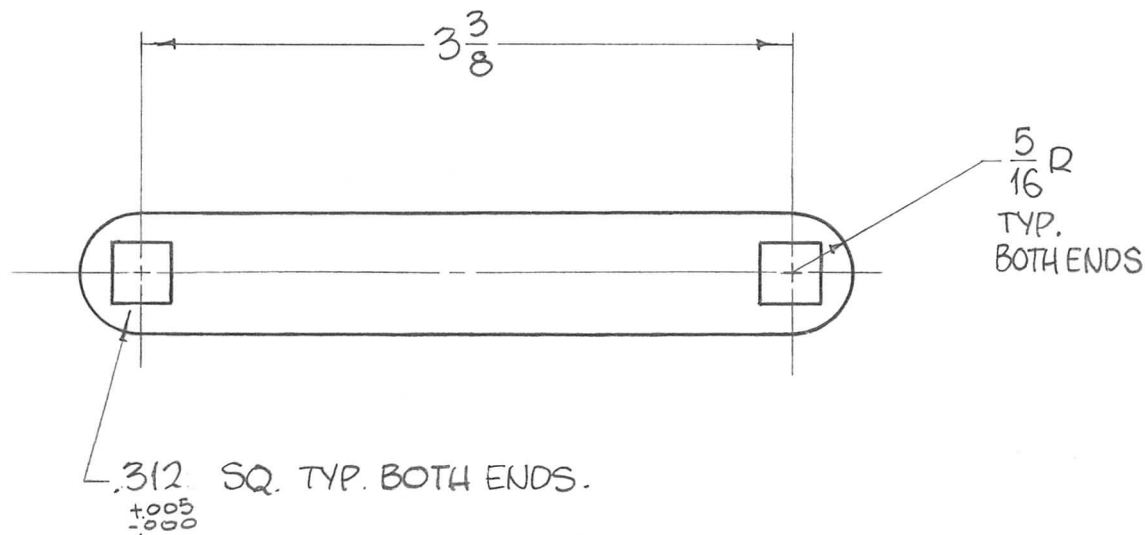


REQ. PER UNIT	USED ON			PM 893 0
	MODEL	ASS'Y. NO.	DATE	
1	GPT-200K	A-2706	1-15-64	



REQ.	ITEM	PART NO.	F. BUDETTI DESCRIPTION				SYMBOL		
			3/16 THICK				THE TECHNICAL MATERIEL CORP. MAMARONECK, NEW YORK		
			STOCK SIZE						
0	ORIG. RELEASE FOR PROD.	5-27-64		SRG			ARM, HAND CRANK		
X1	REVISED & REDRAWN	1-16-64							
SYM	DESCRIPTION	DATE	CH. NO.	DRAFTS	CHECKER	ENG. APP.			
UNLESS OTHERWISE SPECIFIED DIMENSIONS ARE IN INCHES AND INCLUDE CHEMICALLY APPLIED OR PLATED FINISHES		SCALE	1" = 1"						
DECIMALS .X ± .05 .XX ± .01 .XXX ± .005	TOLERANCES	FRACTIONS ± 1/64 ANGLES ± 0° 30'	CODE	A					
						1020	John C Biele	AC	KIC
						CHROME PLATE	DR	AC	
						FINISH & SPEC. NO.	ELEC. DES. APP.	MECH. DES. APP.	PM 893 0