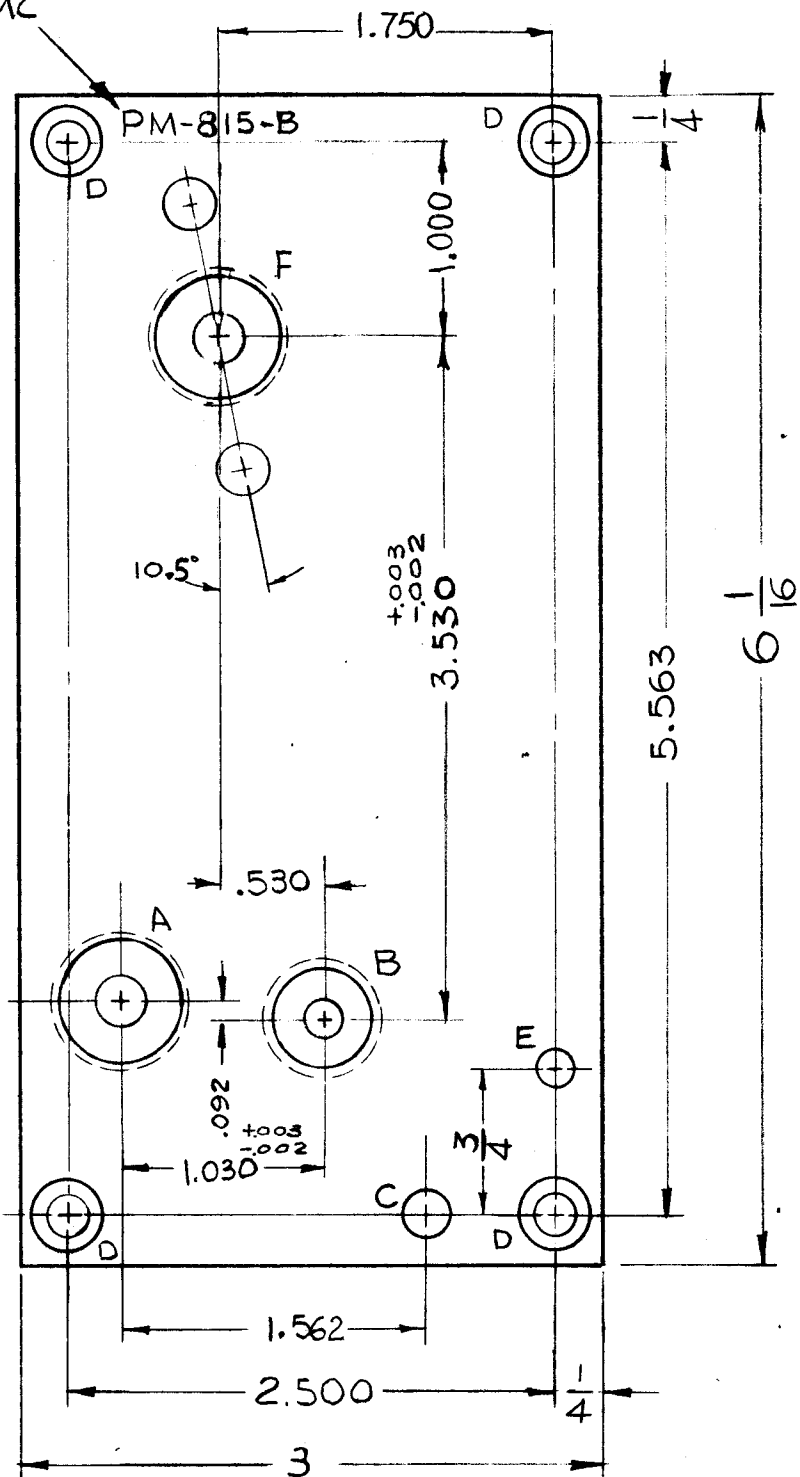


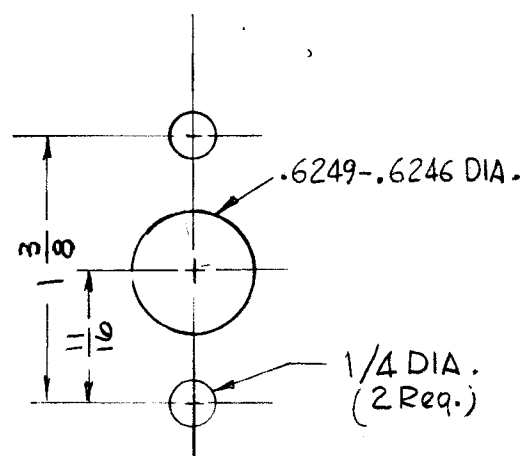
METAL STAMP TMC
PART NO. 1/8 HIGH
GOTHIC



PM-815 B

REVISIONS						
SYM	DESCRIPTION	DATE	E.M.N. NO.	DRAFT	CHKD	APPD
A	ITEM(1) WAS BB-126-1; ITEM(2) WAS BB-126-2	1-3-63	7950			
B	82° COUNTERSINK ADDED ALL "D" HOLES	8-28-63	9869			

LEGEND		
HOLE	DESCRIPTION	REQ.
A	.6249-.6246 DIA.	1
B	.4999-.4996 DIA.	1
C	.253-.254 DIA	1
D	.196 DIA., 82° CSK TO .390 DIA.	4
E	#7 (201) DR.	1
F	SEE DETAIL	1



DETAIL "F"
(1 REQ. D)

REF: PM-745

REQ'D.	ITEM	PART NUMBER	DESCRIPTION	SYMBOL
2	2	BB-126-4	RACE, BEARING	A
1	1	BB-126-5	RACE, BEARING	B

STRUMER LIST OF MATERIAL

MATERIAL 5/32 THK. ALUMINUM 2024 - T3		THE TECHNICAL MATERIEL CORP. MAMARONECK, NEW YORK	
FINISH YELLOW IRIDITE S404		TITLE PLATE, AUX. GEAR (RIGHT)	
DRAWN G.D.L.	DATE 11-1-62	FINAL APPROVAL BP	
CHECKED H.W.	DATE 12/5/62	DATE 12-5-62	
ELG. DES. D.M.	DATE 11.20.62	SHEET	

MOUNT IN "A" HOLE
AS SHOWN AFTER FINISHING

1 MOUNT IN "B" HOLE AS
SHOWN AFTER FINISHING

Q'TY./UNIT	MODEL USED ON	ASS'Y. NO.
SCALE DO NOT SCALE	CODE	
THE CONTENTS OF THIS DRAWING ARE THE EXCLUSIVE PROPERTY OF THE TECHNICAL MATERIEL CORP. ITS UNAUTHORIZED USE OR REPRODUCTION IN WHOLE OR IN PART IS STRICTLY FORBIDDEN.		

NOTES