

THE CONTENTS OF THIS DRAWING ARE THE EXCLUSIVE PROPERTY OF THE TECHNICAL MATERIEL CORP. ITS UNAUTHORIZED USE OR REPRODUCTION IN WHOLE OR IN PART IS STRICTLY FORBIDDEN.

REQ. PER UNIT

1

MODEL
HFR-1

USED ON

ASS'Y. NO.
AX-378

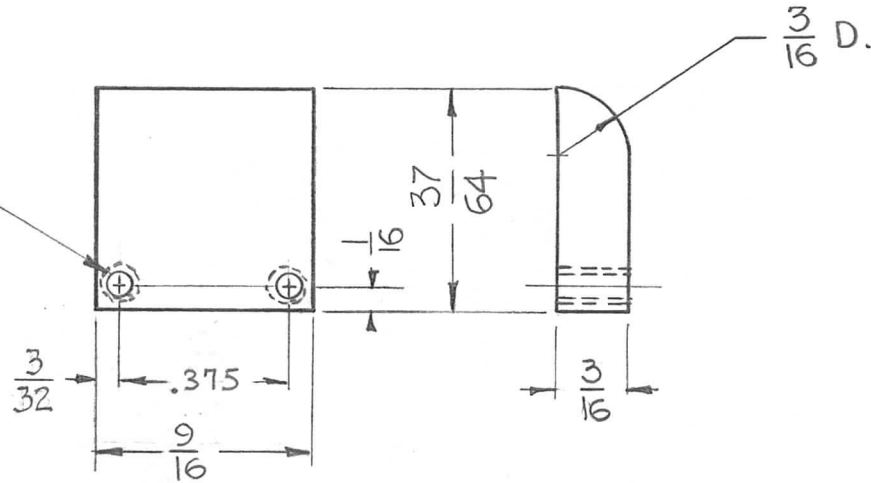
DATE

7-26-62

PM-805

A

DRILL & TAP FOR 2-56B.H.



REQ.	ITEM	PART NO.	DESCRIPTION	SYMBOL					
		KRUY	COVER, SLIDE INDICATOR	A					
STOCK SIZE			THE TECHNICAL MATERIEL CORP. MAMARONECK, NEW YORK						
MATERIAL			BRASS						
TYPE & TEMPER			1/2 HARD						
HEAT TREAT. SPEC.			NONE						
FINISH & SPEC. NO.									
UNLESS OTHERWISE SPECIFIED: DIMENSIONS ARE IN INCHES TOLERANCES ON FRAC. ± 1/64 DEC. ± .005 ANGLES ± 1/2°		SCALE: DO NOT SCALE MAXIMUM ALLOWABLE TOLERANCES HAVE BEEN DETERMINED AND ANY DEVIATIONS WILL BE CAUSE FOR REJECTION. REMOVE ALL BURRS AND SHARP EDGES							
SYM	DESCRIPTION	DATE	CH. NO.	DRAFTS	CHECKER	ENG. APP.	DRAWN	CHECKED	FINAL APPROVAL
							G.D.L.	H.O.	
								T.A.K.	PM-805