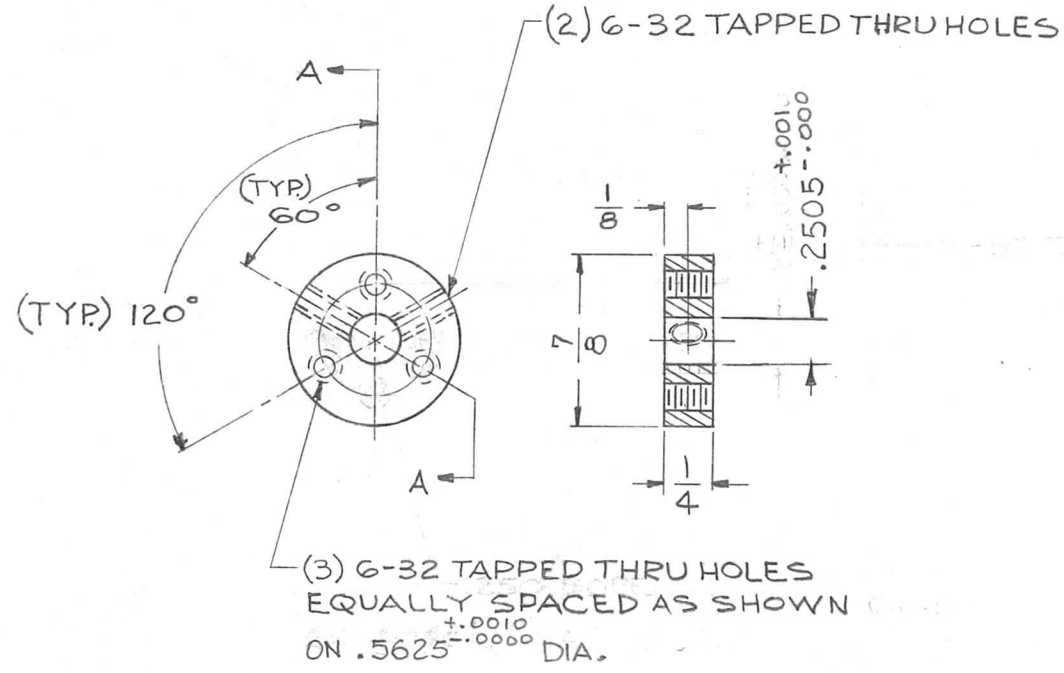


THE CONTENTS OF THIS DRAWING ARE THE EXCLUSIVE PROPERTY OF THE TECHNICAL MATERIEL CORP. ITS UNAUTHORIZED USE OR REPRODUCTION IN WHOLE OR IN PART IS STRICTLY FORBIDDEN.

REQ. PER UNIT	USED ON		
	MODEL	ASS'Y. NO.	DATE
2	GPR-92		6-6-62

PM-770



REF: GR-173

REQ.	ITEM	PART NO.	STRUMER	DESCRIPTION	SYMBOL	
		7/8 BAR		THE TECHNICAL MATERIEL CORP.		
		STOCK SIZE		MAMARONECK, NEW YORK		
		BRASS		HUB, GEAR		
		MATERIAL				
SYM	DESCRIPTION	DATE	CH. NO.	DRAFTS	CHECKER	ENG. APP.
UNLESS OTHERWISE SPECIFIED: DIMENSIONS ARE IN INCHES TOLERANCES ON FRAC. ± 1/64 DEC. ± .005 ANGLES ± 1/2°		SCALE: DO NOT SCALE				
MAXIMUM ALLOWABLE TOLERANCES HAVE BEEN DETERMINED AND ANY DEVIATIONS WILL BE CAUSE FOR REJECTION. REMOVE ALL BURRS AND SHARP EDGES		FREE TURNING		G.S.	JDE	JMA BP
		TYPE & TEMPER	HEAT TREAT. SPEC.	DRAWN	CHECKED	FINAL APPROVAL
		NONE		D.M.	JMP	PM-770
		FINISH & SPEC. NO.		ELEC. DES. APP.	MECH. DES. APP.	