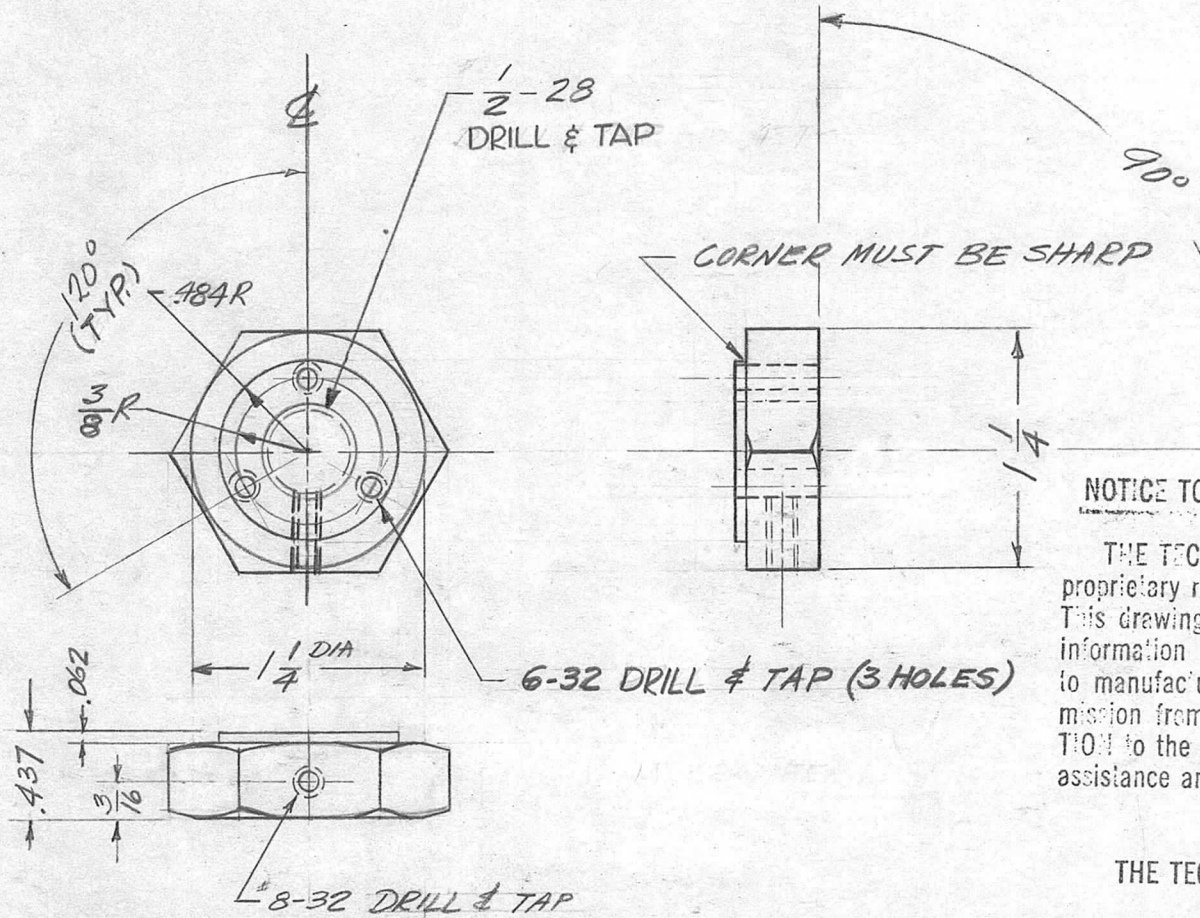


REQ. PER UNIT	USED ON			PM-758
	MODEL	ASS'Y. NO.	DATE	
2	4FR-117	4-3042	4/10/61	



NOTICE TO PERSONS RECEIVING THIS DRAWING

THE TECHNICAL MATERIEL CORPORATION claims proprietary right in the material disclosed herein. This drawing is issued in confidence for engineering information only and may not be reproduced or used to manufacture anything shown hereon without permission from THE TECHNICAL MATERIEL CORPORATION to the user. This drawing is loaned for mutual assistance and is subject to recall at any time.

Property of:
THE TECHNICAL MATERIEL CORPORATION
MAMARONECK, NEW YORK

REQ.	ITEM	PART NO.	J. ANGER	DESCRIPTION	SYMBOL										
		1 1/4 HEX ROD		THE TECHNICAL MATERIEL CORP.											
		STOCK SIZE		MAMARONECK, NEW YORK											
		BRASS		NUT, BEARING											
		MATERIAL													
ISSUE	ITEM	CHANGED FROM	DATE	CH. NO.	DRAFTS	CHECKER	ENG. APP.	1/2 HARD	HEAT TREAT. SPEC.	ab		BP			
TOLERANCES			SCALE: Do Not Scale			1/2 HARD		SILVER PLATE .0003		DRAWN		CHECKED		FINAL APPROVAL	
DEC. DIM. ± .005			MAXIMUM ALLOWABLE TOLERANCES HAVE BEEN DETERMINED AND ANY DEVIATIONS WILL BE CAUSE FOR REJECTION. REMOVE ALL BURRS AND SHARP EDGES			TYPE & TEMPER		FINISH & SPEC. NO.		J. ANGER				PM-758	
FRAC. DIM. ± .010						FINISH & SPEC. NO.		ELEC. DES. APP		MECH. DES. APP					
ANGULAR DIM. ± 0.5°															