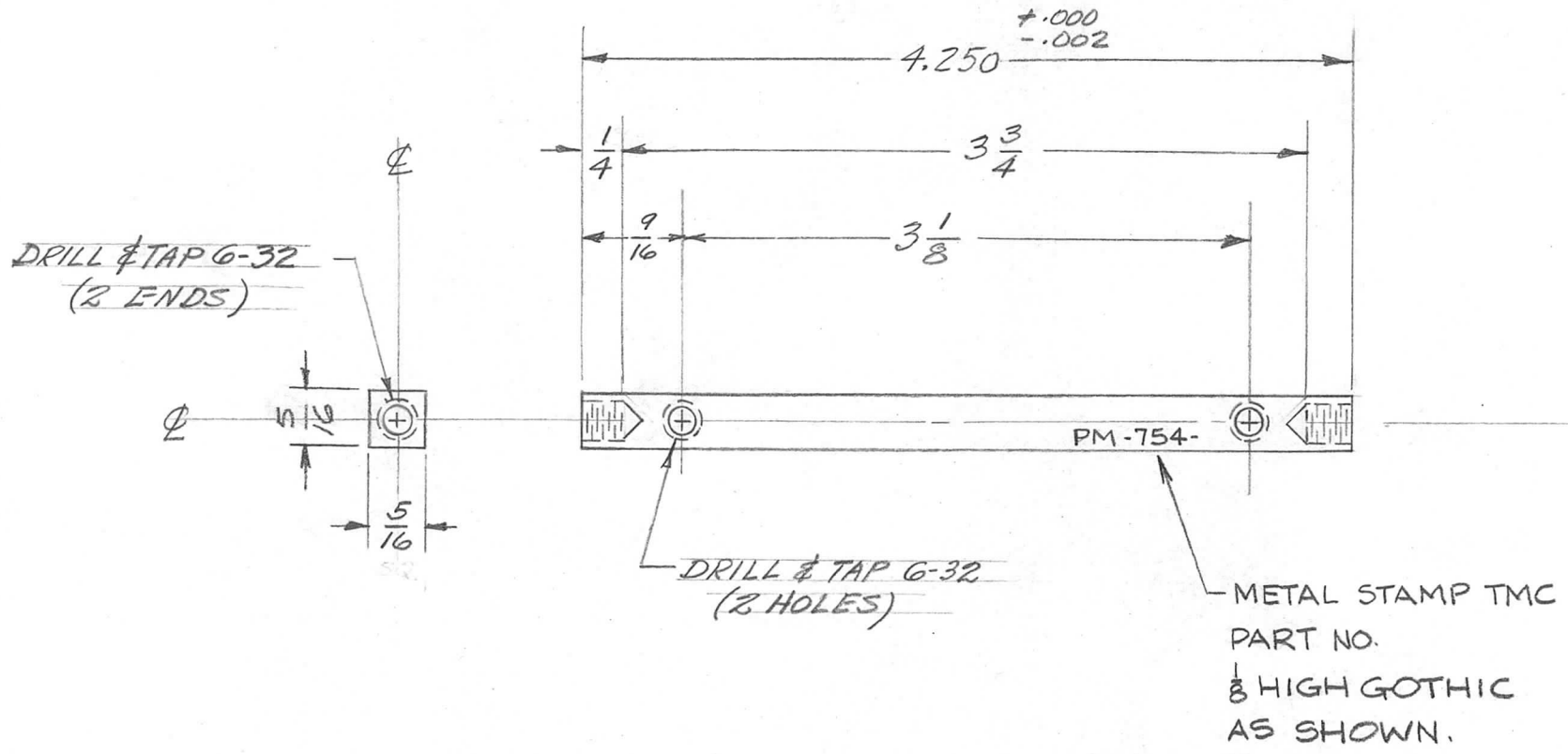


REQ. PER. UNIT	USED ON		
	MODEL	ASS'Y. NO.	DATE
5	HFR-1/T	A2532	5/18/61

PM-754



							REQ. ITEM	PART NO.	J. ANGER	DESCRIPTION	SYMBOL			
							5/16 x 5/16 BAR		THE TECHNICAL MATERIEL CORP.					
							STOCK SIZE		MAMARONECK, NEW YORK					
							ALUMINUM		SUPPORT, BAR, COVER					
							MATERIAL							
ISSUE	ITEM	CHANGED FROM	DATE	CH. NO.	DRAFTS	CHECKER	ENG. APP.	2024-T4	ab	JP	BP			
TOLERANCES			SCALE: Do Not Scale					TYPE & TEMPER	HEAT TREAT. SPEC.	DRAWN	CHECKED	FINAL APPROVAL		
DEC. DIM. ±			MAXIMUM ALLOWABLE TOLERANCES HAVE BEEN DETERMINED AND ANY DEVIATIONS WILL BE CAUSE FOR REJECTION. REMOVE ALL BURRS AND SHARP EDGES					S404 YEL. IRIDITE	J. ANGER	PM-754				
FRAC. DIM. ±								FINISH & SPEC. NO.		ELEC. DES. APP	MECH. DES. APP			
ANGULAR DIM. ±														