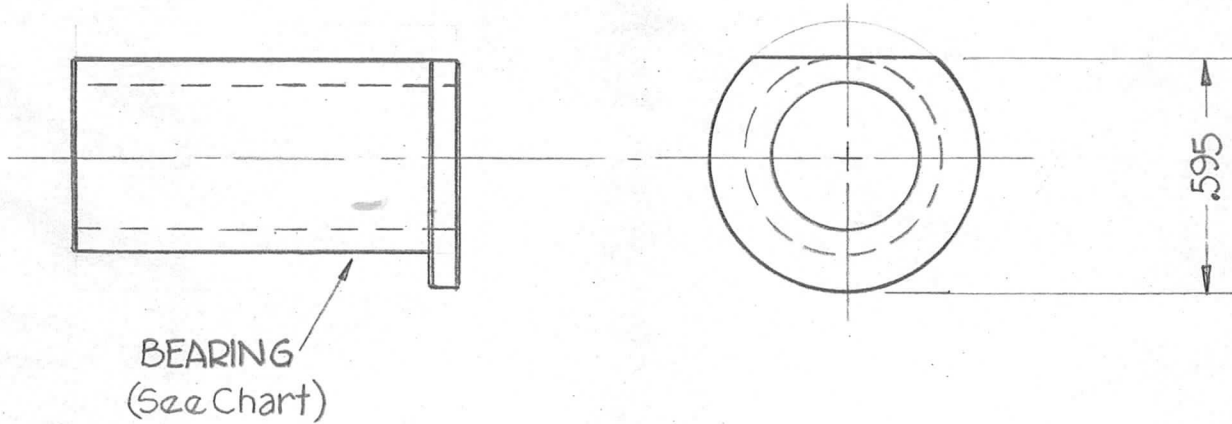


REQ.	TMC PART NO	BEARING NO
1	PM-675-1	BB-118-33
1	PM-675-2	BB-118-32

REQ. PER. UNIT	USED ON			PM-675
	MODEL	ASSY. NO.	DATE	
	40K		11-11-60	



								REQ.	ITEM	PART NO.	DESCRIPTION		SYMBOL	
								STOCK SIZE		THE TECHNICAL MATERIEL CORP. MAMARONECK, NEW YORK				
								MATERIAL		BEARING, PINION, MACHINED (BANDSWITCH, GEAR ASS'Y.)				
ISSUE	ITEM	CHANGED FROM	DATE	CH. NO.	DRAFTS	CHECKER	ENG. APP.			<i>D.J. [Signature]</i>	<i>aa</i>	<i>BB</i>		
TOLERANCES			SCALE:					TYPE & TEMPER		HEAT TREAT. SPEC.	DRAWN	CHECKED	FINAL APPROVAL	
DEC. DIM. ± FRAC. DIM. ± ANGULAR DIM. ±			MAXIMUM ALLOWABLE TOLERANCES HAVE BEEN DETERMINED AND ANY DEVIATIONS WILL BE CAUSE FOR REJECTION. REMOVE ALL BURRS AND SHARP EDGES										PM-675	
								FINISH & SPEC. NO.		ELEC. DES. APP	MECH. DES. APP			