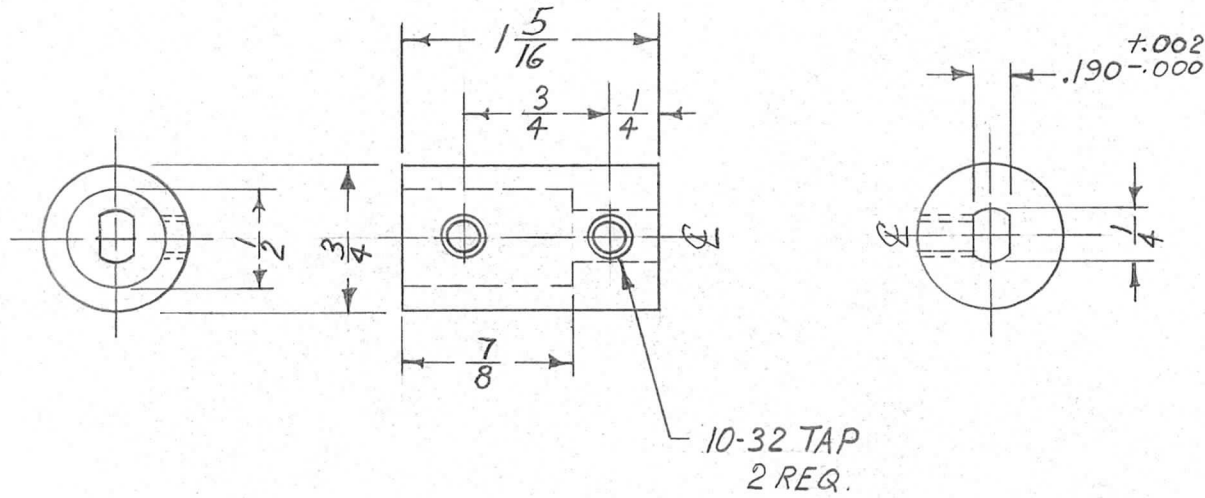


REQ. PER. UNIT	USED ON			PM-658
	MODEL	ASS'Y. NO.	DATE	
1	GPT-40K		7-27-60	



ISSUE	ITEM	CHANGED FROM	DATE	CH. NO.	DRAFTS	CHECKER	ENG. APP.	REQ.	ITEM	PART NO.	DESCRIPTION	SYMBOL		
										$\frac{3}{4}$	THE TECHNICAL MATERIEL CORP. MAMARONECK, NEW YORK COUPLER-HORIZONTAL SHAFT			
										STOCK SIZE				
										BRASS				
										MATERIAL				
										ROUND				
										TYPE & TEMPER	HEATTREAT. SPEC.	DRAWN	CHECKED	FINAL APPROVAL
										0005 NICKEL PLATE				PM-658
										FINISH & SPEC. NO.	ELEC. DES. APP.	MECH. DES. APP.		

DEC. DIM. \pm
FRAC. DIM. $\pm \frac{1}{64}$
ANGULAR DIM. \pm

SCALE: FULL
MAXIMUM ALLOWABLE TOLERANCES HAVE BEEN DETERMINED AND ANY DEVIATIONS WILL BE CAUSE FOR REJECTION.
REMOVE ALL BURRS AND SHARP EDGES