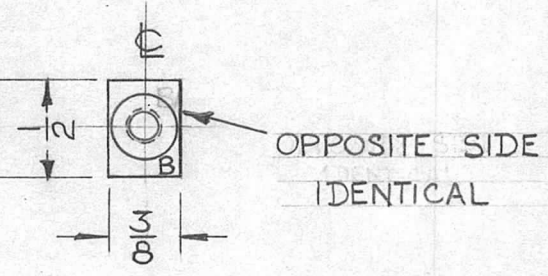
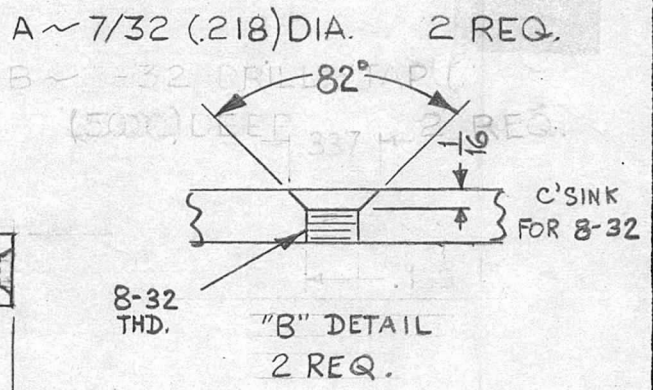
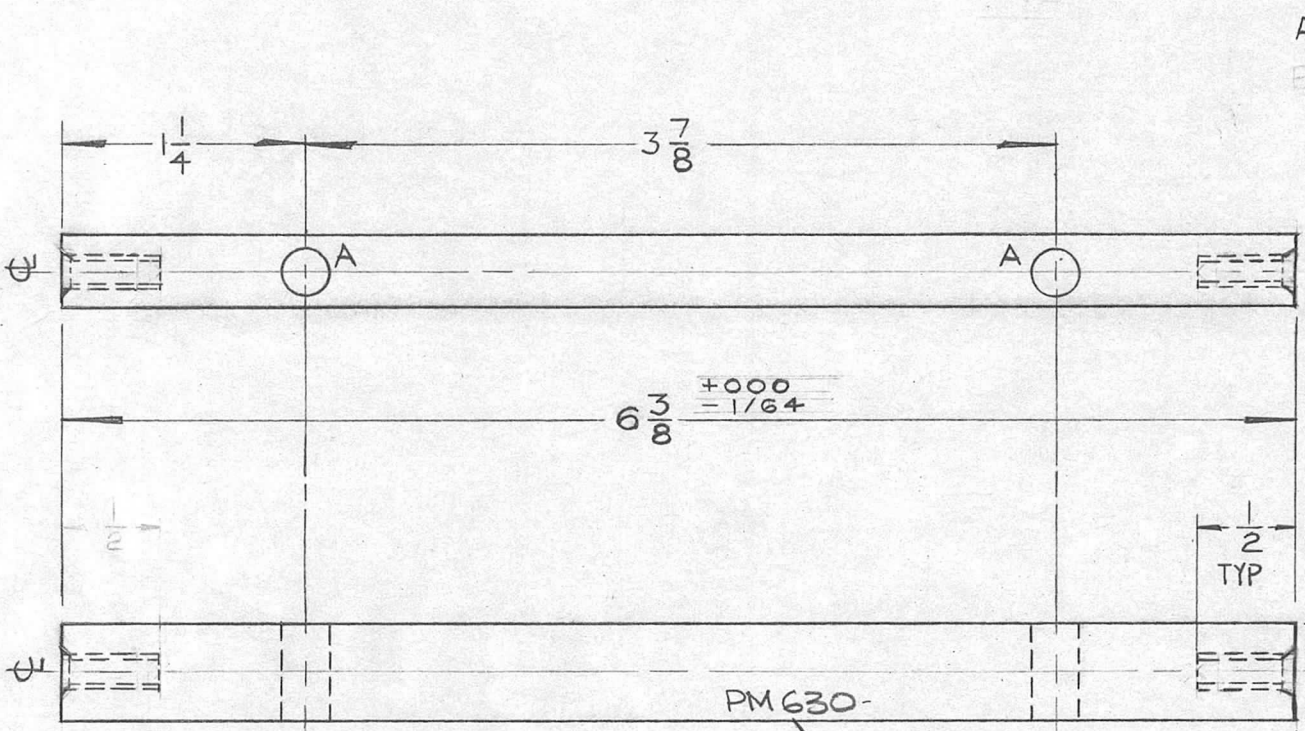


REQ. PER. UNIT	USED ON			PM-630	B
	MODEL	ASS'Y. NO.	DATE		
1	CMO-1		3/10/60		



PM630-  
METAL STAMP TMC P/N  
1/8" HIGH GOTHIC W/LATEST  
REV. LETTER.

REQ.	ITEM	PART NO.	DESCRIPTION					SYMBOL
		RECTANGULAR ROD 3/8X1/2	THE TECHNICAL MATERIEL CORP.					
		STOCK SIZE	MAMARONECK, NEW YORK					
B		ALUMINUM	POWER SUPPLY					
A	1	MATERIAL	SUPPORT BAR					
		24S-T4	CU	FILE	APP			
		TYPE & TEMPER	DRAWN	CHECKED	FINAL APPROVAL			
		HEATTREAT. SPEC.			PM-630 B			
		S404 YEL. SIRIDITE						
		FINISH & SPEC. NO.	ELEC. DES. APP		MECH. DES. APP			

ISSUE	ITEM	CHANGED FROM	DATE	CH. NO.	DRAFTS	CHECKER	ENG. APP.
		METAL STAMP NOTE ADDED FINISH WAS S101	2-2-66	15680	WLF	JCB	WLF
		"B" HOLE WAS 8-32 DR. & TAP	5-8-61	4858	WLF	JCB	WLF

TOLERANCES: DEC. DIM. ±, FRAC. DIM. ± 1/64, ANGULAR DIM. ±

SCALE: MAXIMUM ALLOWABLE TOLERANCES HAVE BEEN DETERMINED AND ANY DEVIATIONS WILL BE CAUSE FOR REJECTION. REMOVE ALL BURRS AND SHARP EDGES