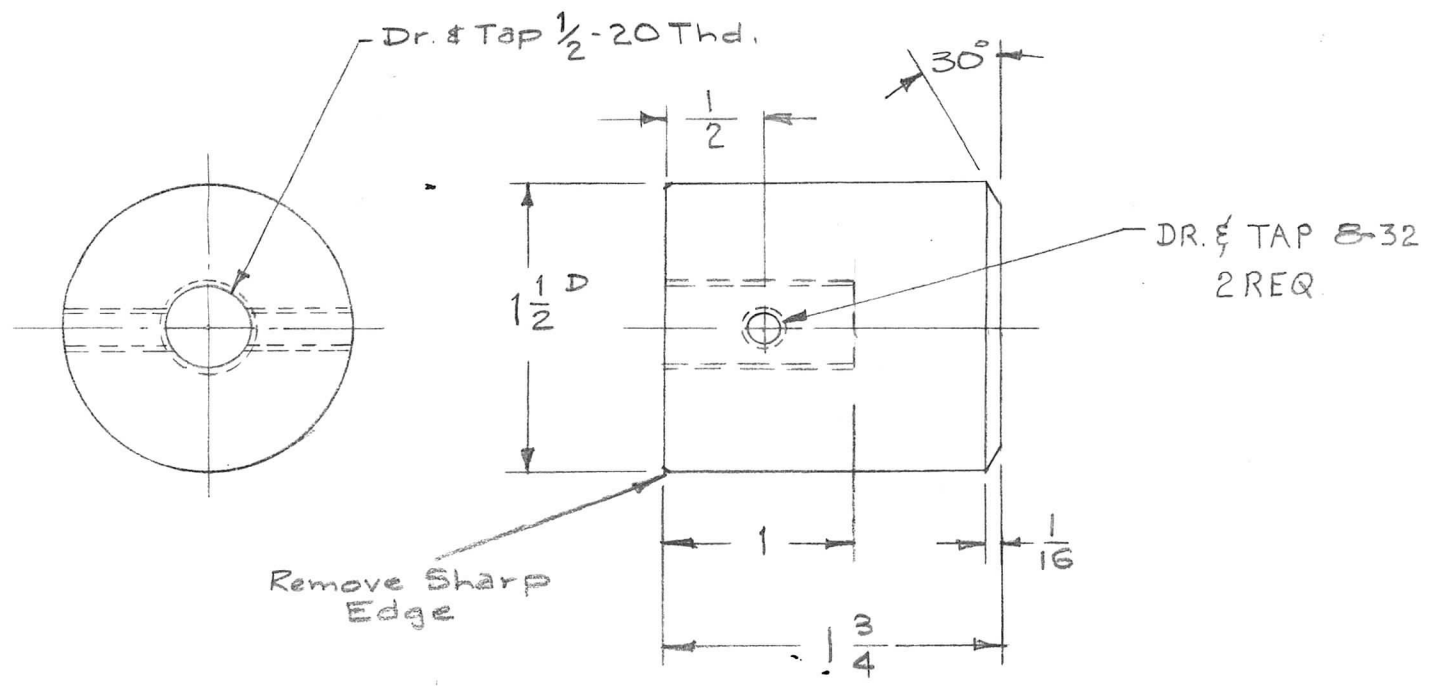


REQ. PER UNIT	USED ON			PM-620	A
	MODEL	ASS'Y. NO.	DATE		
2	AP-103(40K)	AX-223	3-12-60		



								REQ.	ITEM	PART NO.	DESCRIPTION			SYMBOL
								1/2 OD		THE TECHNICAL MATERIEL CORP.				
								STOCK SIZE		MAMARONECK, NEW YORK				
								Brass		CONTACT, BALANCED OUTPUT				
								MATERIAL						
A	1	DR & TAP FOR 8-32 ADDED	4-11-60	2118	MB						11/12/60			
ISSUE	ITEM	CHANGED FROM	DATE	CH. NO.	DRAFTS	CHECKER	ENG. APP.	Free Turning						
TOLERANCES			SCALE: FULL					TYPE & TEMPER	HEATTREAT. SPEC.	DRAWN	CHECKED	FINAL APPROVAL		
DEC. DIM. ±			MAXIMUM ALLOWABLE TOLERANCES HAVE BEEN DETERMINED AND ANY DEVIATIONS WILL BE CAUSE FOR REJECTION. REMOVE ALL BURRS AND SHARP EDGES					Rhodium Plate	.000025			PM-620		
FRAC. DIM. ± 1/64								FINISH & SPEC. NO.		ELEC. DES. APP.	MECH. DES. APP.	A		
ANGULAR DIM. ±														