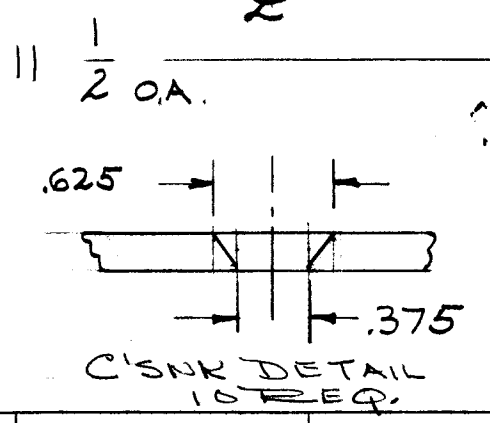
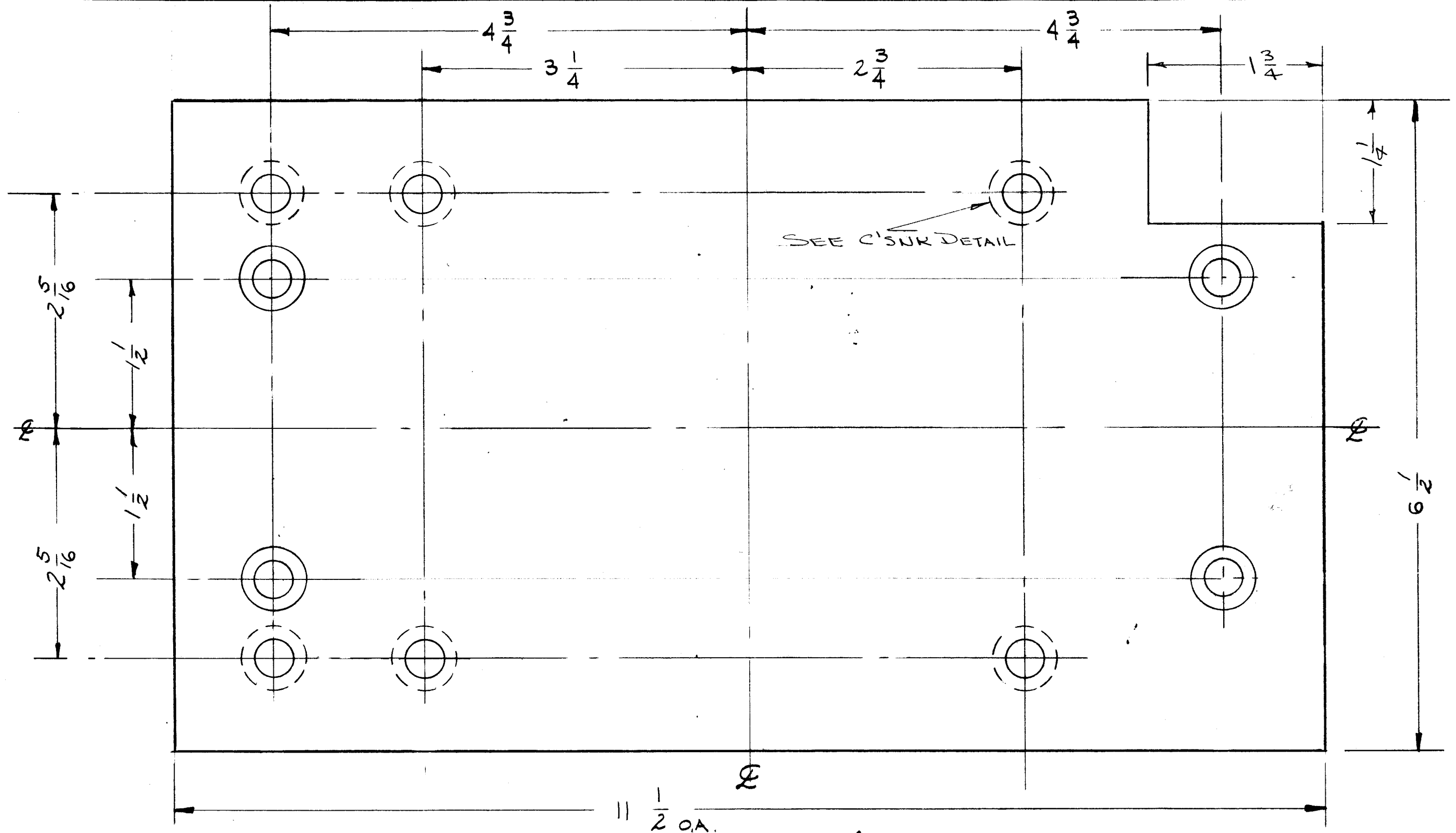


PM-580



ISSUE	ITEM	CHANGED FROM	DATE	CH. NO.	DRAFTS	CHECKER	ENG. APP.
TOLERANCES							
DEC. DIM. ±			SCALE:				
FRAC. DIM. ±			MAXIMUM ALLOWABLE TOLERANCES HAVE BEEN DETERMINED AND ANY DEVIATIONS WILL BE CAUSE FOR REJECTION.				
ANGULAR DIM. ±			REMOVE ALL BURRS AND SHARP EDGES				

1	GPT-10-K			10-5-59
REQ. PER UNIT	MODEL	PROJECT NO.	ASS'Y. NO.	DATE
USED ON				

REQ. ITEM	PART NO.	DESCRIPTION		SYMBOL
	3/16	THE TECHNICAL MATERIEL CORP.		
	STOCK SIZE	MAMARONECK. NEW YORK		
	ALUMINUM	PLATE ADAPTER FOR		
	MATERIAL	LINE REGULATOR TF-208		
5052-H32		LABILED 10-5-59		
	TYPE & TEMPER	DRAWN	CHECKED	FINAL APPROVAL
S404	YELLOW IRIDITE		CG	PM-580
	FINISH & SPEC. NO.	ELEC. DES. APP.	MECH. DES. APP.	