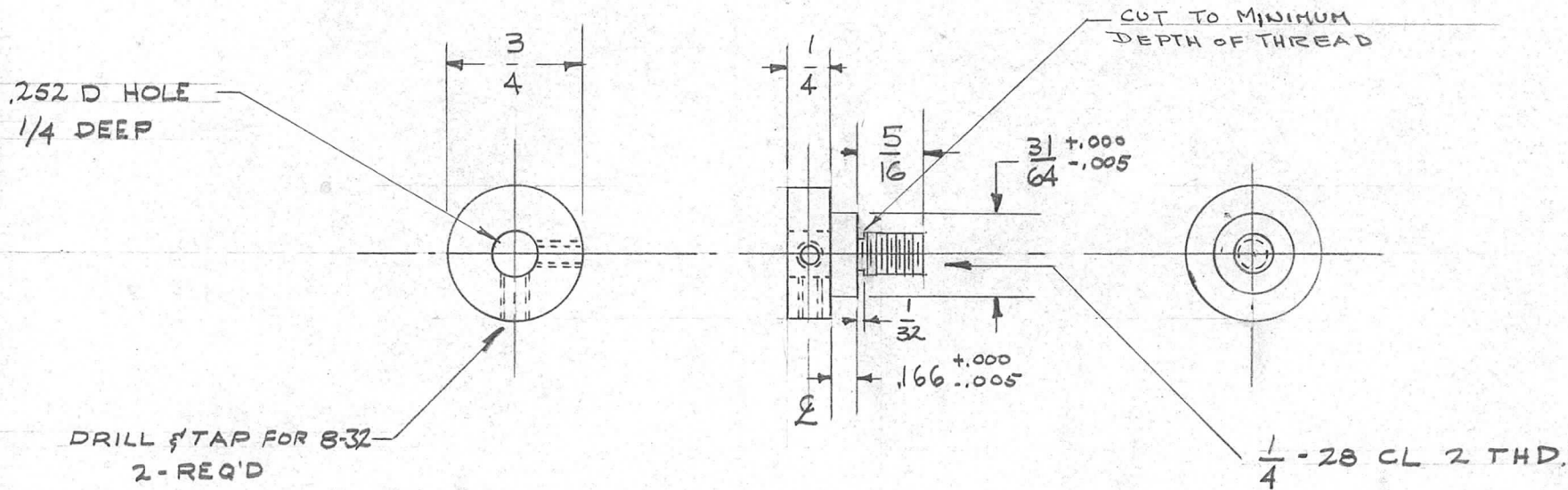


REQ. PER. UNIT	USED ON		
	MODEL	ASS'Y. NO.	DATE
2	RFB-1A	A-1625	4/6/59
4	GPT-10K	A-1625	"
2	GPT-750	A-1625	"
2	RFD-1	A-1625	6-22-59

PM-567

A



							REQ.	ITEM	PART NO.	DESCRIPTION			SYMBOL
							3/4 DIA.			THE TECHNICAL MATERIEL CORP.			
							STOCK SIZE			MAMARONECK, NEW YORK			
							BRASS			MOUNTING STUD			
							MATERIAL						
							FREE TURNING			TORILLO			
							TYPE & TEMPER			DRAWN			
							HEATTREAT.SPEC.			CHECKED			
							NICKLE PLATE .0003 TK.			FINAL APPROVAL			
							FINISH & SPEC. NO.			ELEC. DES. APP			
										MECH. DES. APP			
										PM-567			A