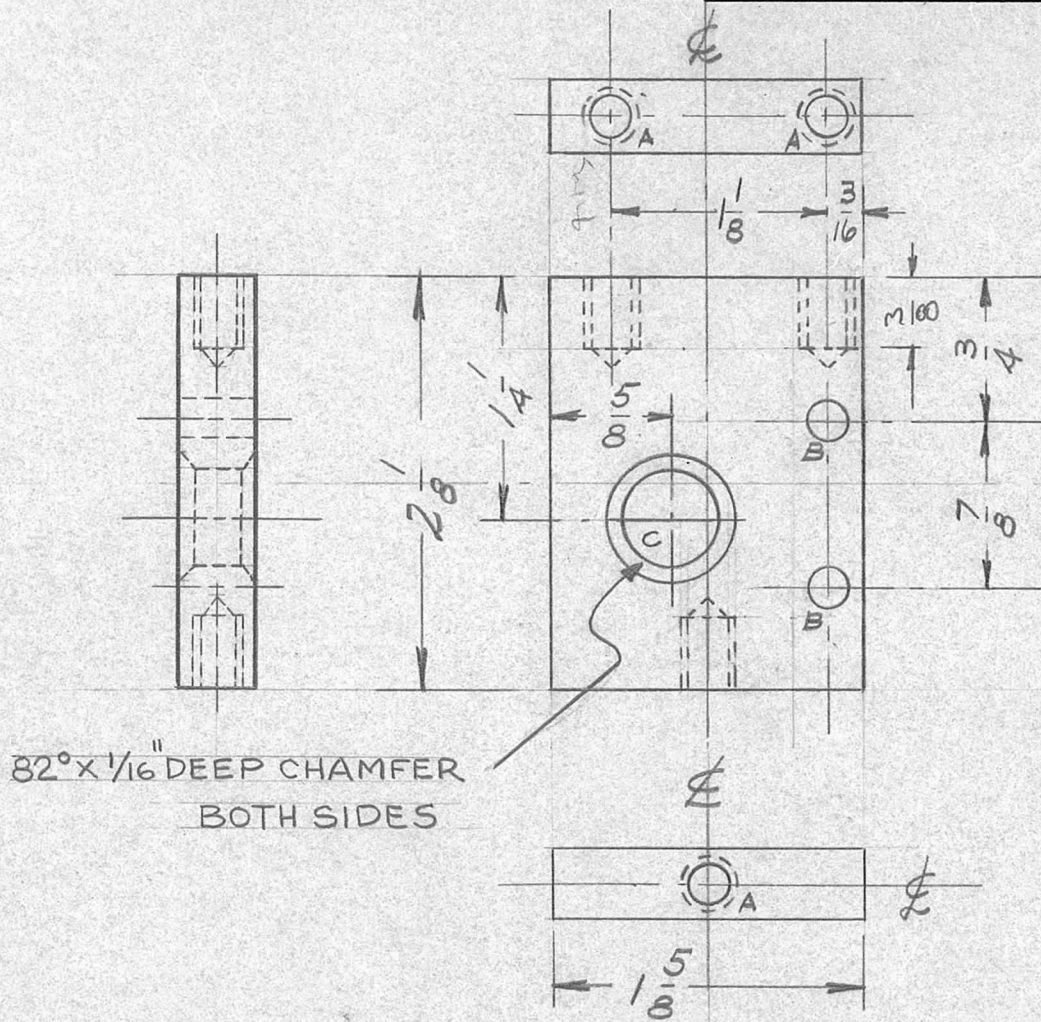


REQ. PER UNIT	USED ON			PM-543	B
	MODEL	ASS'Y. NO.	DATE		
2	GPT-10000	RF	2-5-59		



HOLES	REQ'D
A - DRILL & TAP 10-32	3
B - 3/16 DIA	2
C - .500 DIA. $^{-.000}_{+.005}$	1

NOTICE TO PERSONS RECEIVING THIS DRAWING

THE TECHNICAL MATERIEL CORPORATION claims proprietary right in the material disclosed hereon. This drawing is issued in confidence for engineering information only and may not be reproduced or used to manufacture anything shown hereon without permission from THE TECHNICAL MATERIEL CORPORATION to the user. This drawing is loaned for mutual assistance and is subject to recall at any time.

Property of:
THE TECHNICAL MATERIEL CORPORATION
MAMARONECK, NEW YORK

REQ.	ITEM	PART NO.	DESCRIPTION				SYMBOL
		3/8 THICK	THE TECHNICAL MATERIEL CORP.				
		STOCK SIZE	MAMARONECK, NEW YORK				
B		C HOLE WAS 1/2 DIA.	SIDE PLATE, GEAR BOX				
A	I	CHAMFER NOTE ADD.					
ISSUE	ITEM	CHANGED FROM	DATE	CH. NO.	DRAFTS	CHECKER	ENG. APP.
TOLERANCES			SCALE:				
DEC. DIM. ±			MAXIMUM ALLOWABLE TOLERANCES HAVE BEEN DETERMINED AND ANY DEVIATIONS WILL BE CAUSE FOR REJECTION.				
FRAC. DIM. ±			REMOVE ALL BURRS AND SHARP EDGES				
ANGULAR DIM. ±							
2024-T4		TYPE & TEMPER		HEAT TREAT. SPEC.		DRAWN	
IRIDITE		FINISH & SPEC. NO.		ELEC. DES. APP		MECH. DES. APP	
		10RILLD		fwe		ARB	
		RLN		QB		PM-543 B	