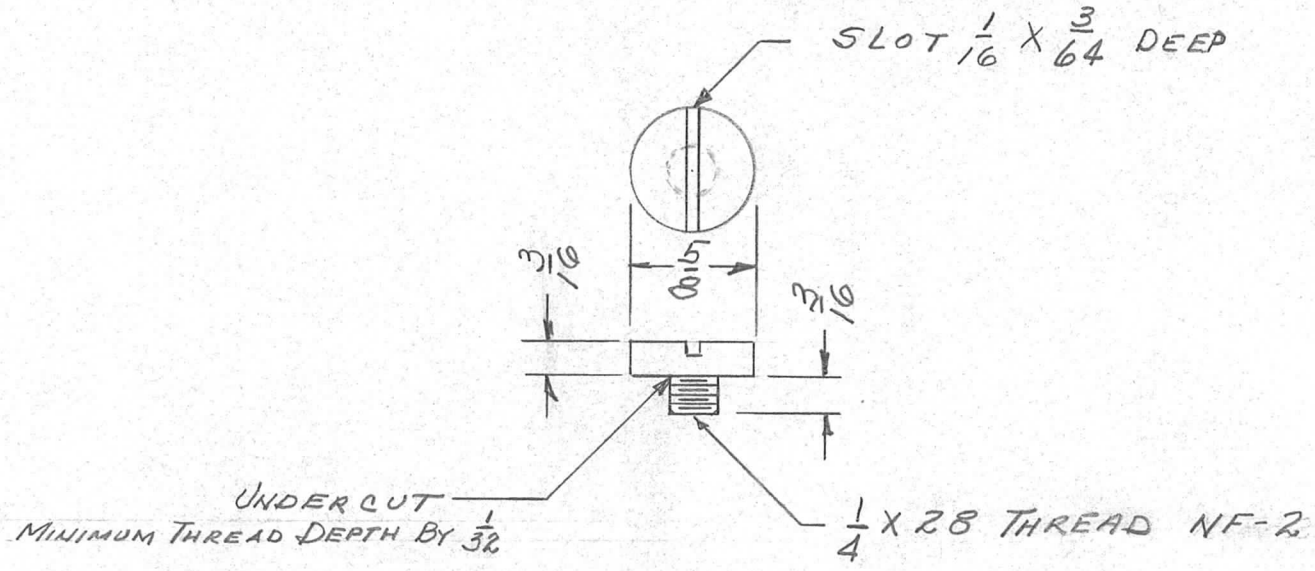


REQ. PER UNIT	USED ON		
	MODEL	ASS'Y. NO.	DATE
1	SBE-2	A-1517	8-11-58
1	SBE-3	AP-100	11-30-59

PM-498



ISSUE	ITEM	CHANGED FROM	DATE	CH. NO.	DRAFTS	CHECKER	ENG. APP.	REQ. ITEM	PART NO.	DESCRIPTION	SYMBOL	
										THE TECHNICAL MATERIEL CORP. MAMARONECK. NEW YORK		
									STOCK SIZE	STOP SCREW, GEAR		
									MATERIAL	SBE-1		
								HALF-HARD				
								TYPE & TEMPER	HEAT TREAT. SPEC.	DRAWN	CHECKED	FINAL APPROVAL
								CAD. PLATE .0002				
								FINISH & SPEC. NO.		ELEC. DES. APP.	MECH. DES. APP.	PM-498

TOLERANCES  
 DEC. DIM.  $\pm$   
 FRAC. DIM.  $\pm$   
 ANGULAR DIM.  $\pm$

SCALE: C/O  
 MAXIMUM ALLOWABLE TOLERANCES HAVE BEEN DETERMINED AND ANY DEVIATIONS WILL BE CAUSE FOR REJECTION.  
 REMOVE ALL BURRS AND SHARP EDGES

8/11/58  
 HJD  
 C/O  
 C/O  
 C/O