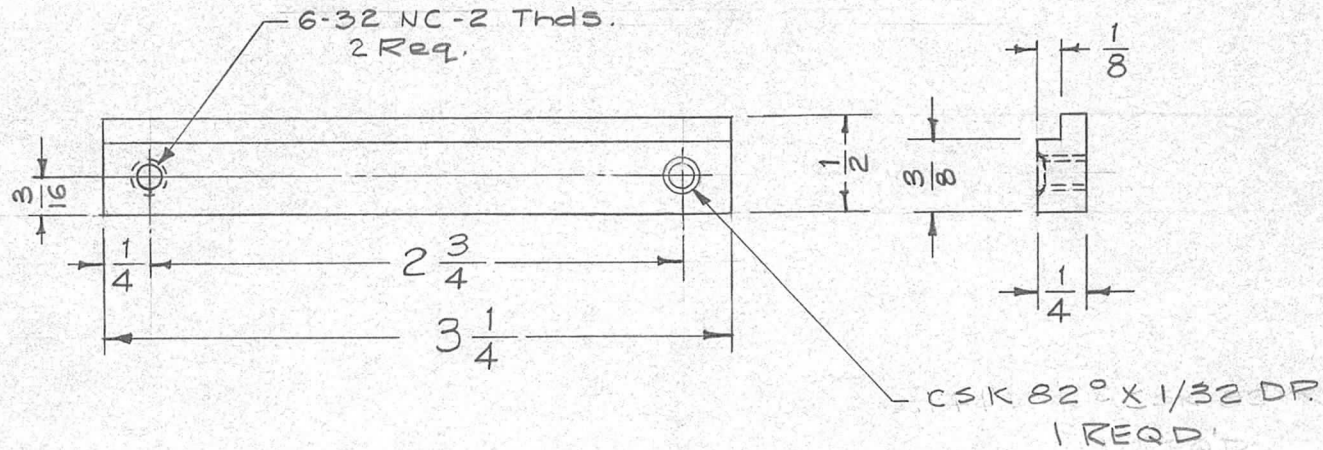


REQ. PER UNIT	USED ON			PM-482	A
	MODEL	ASS'Y. NO.	DATE		
1	SBE-1&2		3-17-58		



ISSUE	ITEM	CHANGED FROM	DATE	CH. NO.	DRAFTS	CHECKER	ENG. APP.	REQ. ITEM	PART NO.	DESCRIPTION	SYMBOL	
									1/4 x 1/2 BAR	THE TECHNICAL MATERIEL CORP. MAMARONECK, NEW YORK		
									STOCK SIZE			
A	1	UPDATED DWG PER EMN. 10178	10/14/63	10178	<i>EMN</i>	<i>MYT</i>	<i>WJB</i>		ALUMINUM	BRACKET, RETAINING		
									MATERIAL	PLATE		
TOLERANCES			SCALE: FULL					2024-T3		6/3/17/58	<i>WJB</i>	
DEC. DIM. ± FRAC. DIM. ± 1/64 ANGULAR DIM. ±			MAXIMUM ALLOWABLE TOLERANCES HAVE BEEN DETERMINED AND ANY DEVIATIONS WILL BE CAUSE FOR REJECTION. REMOVE ALL BURRS AND SHARP EDGES					TYPE & TEMPER	HEAT TREAT. SPEC.	DRAWN	CHECKED	FINAL APPROVAL
								3404 YEL. IRIDITE			<i>WJB</i>	PM-482
								FINISH & SPEC. NO.		ELEC. DES. APP.	MECH. DES. APP.	A