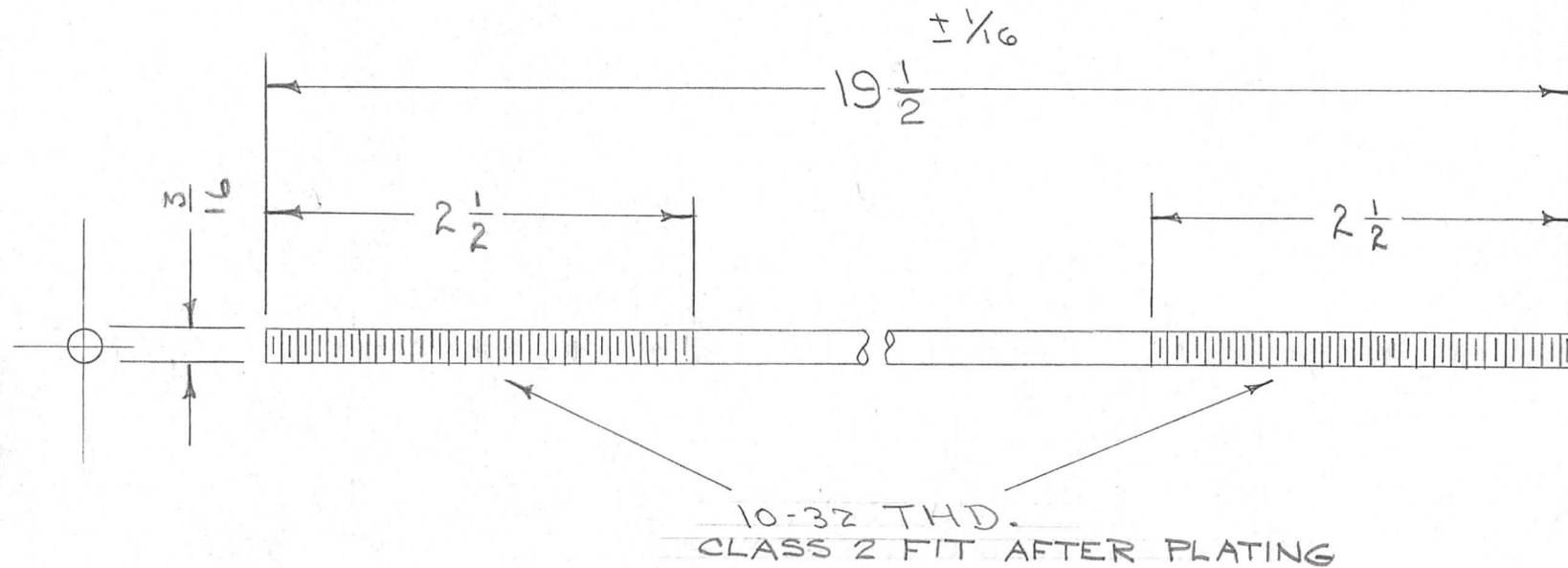


IF IT IS FOUND DESIRABLE TO CHANGE ANY TOLERANCE OR OTHER DETAIL SPECIFIED ON THIS DRAWING NOTIFY THE PURCHASER PROMPTLY.

PM-257 D

MAXIMUM ALLOWABLE TOLERANCES HAVE BEEN DETERMINED AND DEVIATIONS WILL BE CAUSE FOR REJECTION. REMOVE ALL BURRS AND SHARP EDGES

REQ. PER UNIT	USED ON			
	MODEL	PROJECT NO.	ASS'Y. NO.	DATE
1	TAC-1	132	A-782	1-27-54



NOTE: DIMENSIONS ARE AFTER PLATING.

REQ.	ITEM	PART NO.	DESCRIPTION			SYMBOL
	3/16 DIA. ROD		THE TECHNICAL MATERIEL CORP.			
	STOCK SIZE		MAMARONECK. NEW YORK			
	BRASS	— II —	WIPER ROD			
	MATERIAL	WEIGHT PER PC.	TAC-1			
	TYPE & TEMPER		C.I.D.D.	APP	WDE	
	HEAT TREAT. SPEC.		DRAWN	ELEC. DES. APP.	MECH. DES. APP.	
	FINISH & SPEC. NO.		FAW	APP	WDE	
			CHECKED	FINAL APPROVAL		
				PM-257	D	

ISSUE	ITEM	CHANGED FROM	DATE	CN. NO.	DRAFTS	CHECKER	ENG. APP.
D	1	19 1/2 WAS 19 5/8	4/9/57	4	16	WDE	
C	1	NOTE ADDED	9/1/54	3	C.D.D.	WDE	
B	1	MATERIAL WAS THDED. ROD.	3/10/54	2	C.D.D.	WDE	

TOLERANCES		SCALE
ALL OTHERS	DEC. DIM. ± FRAC. DIM. ± ANGULAR DIM. ±	DRILL, PUNCH, COMMERCIAL STOCK SIZES AND MANUFACTURERS TOLERANCES ARE NOT INCLUDED.