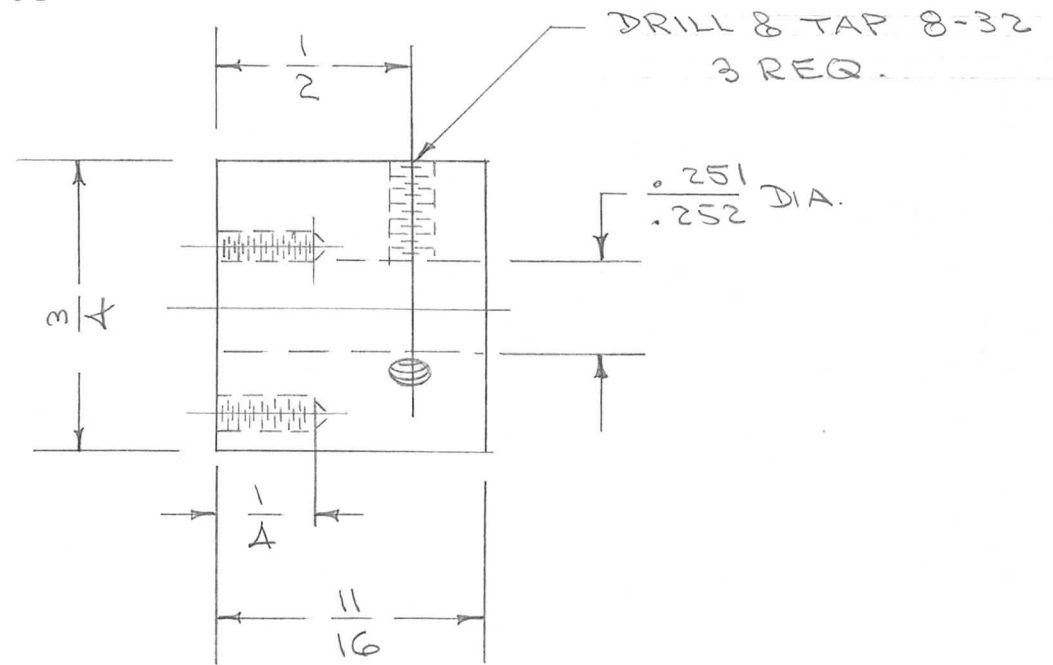
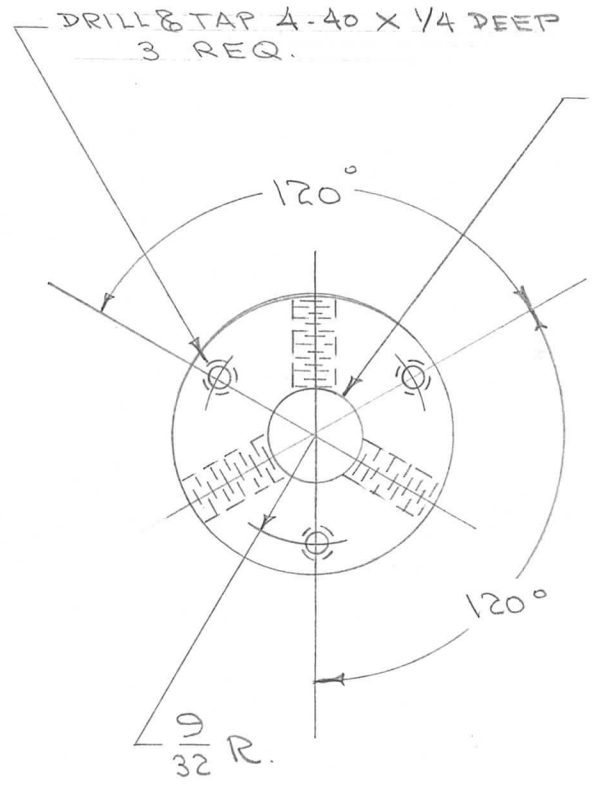


IF IT IS FOUND DESIRABLE TO CHANGE ANY TOLERANCE OR OTHER DETAIL SPECIFIED ON THIS DRAWING NOTIFY THE PURCHASER PROMPTLY.

PM-212

MAXIMUM ALLOWABLE TOLERANCES HAVE BEEN DETERMINED AND DEVIATIONS WILL BE CAUSE FOR REJECTION. REMOVE ALL BURRS AND SHARP EDGES

REQ. PER UNIT	USED ON			
	MODEL	PROJECT NO.	ASS'Y. NO.	DATE
1	VOX		A-586	8-31-55



REQ.	ITEM	PART NO.	DESCRIPTION	SYMBOL
	3/4 D. ROD.		THE TECHNICAL MATERIEL CORP.	
	STOCK SIZE		MAMARONECK, NEW YORK	
	BRASS	#	DIAL BUSHING	
	MATERIAL	WEIGHT PER PC.		VOX
	FREE TURNING			
	TYPE & TEMPER			
	HEAT TREAT. SPEC.			
	2-105- CAD. PLATE			
	.0002			
	FINISH & SPEC. NO.			

#	#	REDRAWN	8/31/55	#	ISS	CHK	ENG. APP.
ISSUE	ITEM	CHANGED FROM	DATE	CN. NO.	DRAFTS	CHECKER	ENG. APP.
TOLERANCES			SCALE				
ALL OTHERS	DEC. DIM. ± .005 FRAC. DIM. ± 1/64 ANGULAR DIM. ±		DRILL, PUNCH, COMMERCIAL STOCK SIZES AND MANUFACTURERS TOLERANCES ARE NOT INCLUDED.				

VOX  
 CDD 8/31/55  
 DRAWN  
 ELEC. DES. APP.  
 MECH. DES. APP.  
 CHECKED  
 FINAL APPROVAL  
 PM-212