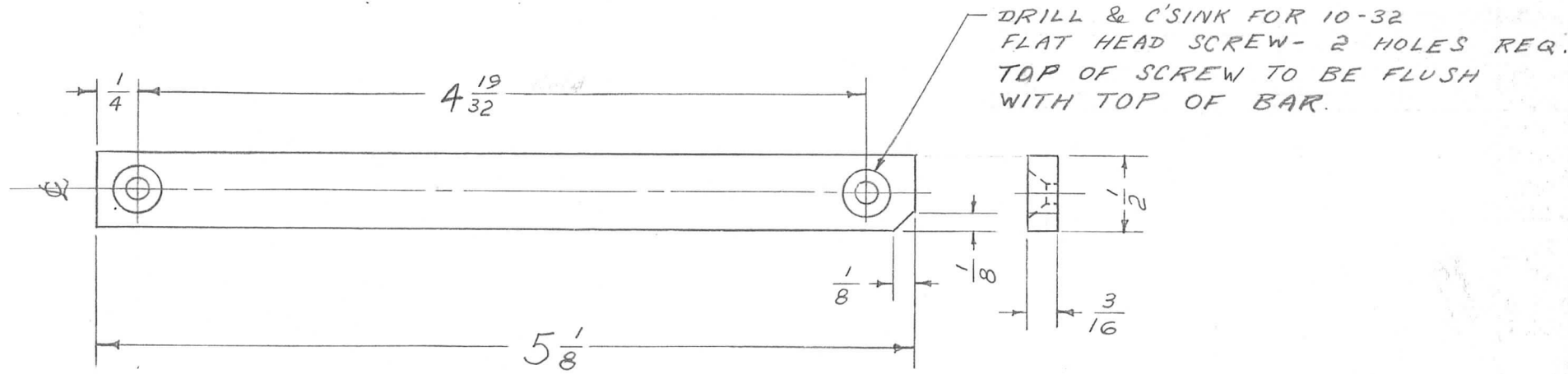


IF IT IS FOUND DESIRABLE TO CHANGE ANY TOLERANCE OR OTHER DETAIL SPECIFIED ON THIS DRAWING NOTIFY THE PURCHASER PROMPTLY.

PM-206 B

MAXIMUM ALLOWABLE TOLERANCES HAVE BEEN DETERMINED AND DEVIATIONS WILL BE CAUSE FOR REJECTION. REMOVE ALL BURRS AND SHARP EDGES

REQ. PER UNIT	USED ON			
	MODEL	PROJECT NO.	ASS'Y. NO.	DATE
1	VOX	101		1-24-55
1	VOX-1-2	291		1-24-55



REQ.	ITEM	PART NO.	DESCRIPTION	SYMBOL
		3/16 x 1/2	THE TECHNICAL MATERIEL CORP. MAMARONECK. NEW YORK	
		STOCK SIZE		
		ALUMINUM	TRANSFORMER, SUPPORT ROD	
		MATERIAL		
		63S-T5		
		TYPE & TEMPER	P.B. 1-24-55	
			DRAWN	ELEC. DES. APP. MECH. DES. APP.
		HEAT TREAT. SPEC.	FAVE 1-24/55	
		5404 YEL IRIDITE	CHECKED	FINAL APPROVAL
		FINISH & SPEC. NO.		PM-206 B

ISSUE	ITEM	CHANGED FROM	DATE	CN. NO.	DRAFTS	CHECKER	ENG. APP.
B	1	3404 YEL. IRIDITE WAS 3101 CAUSTIC DIP	1/22/59	10786			
-#	-#	REDRAWN NO CHANGE	1-24-55	-#	RR	JAR	WJZ

TOLERANCES		SCALE
ALL OTHERS	DEC. DIM. ± FRAC. DIM. ± 1/64 ANGULAR DIM. ±	DRILL, PUNCH, COMMERCIAL STOCK SIZES AND MANUFACTURERS TOLERANCES ARE NOT INCLUDED.